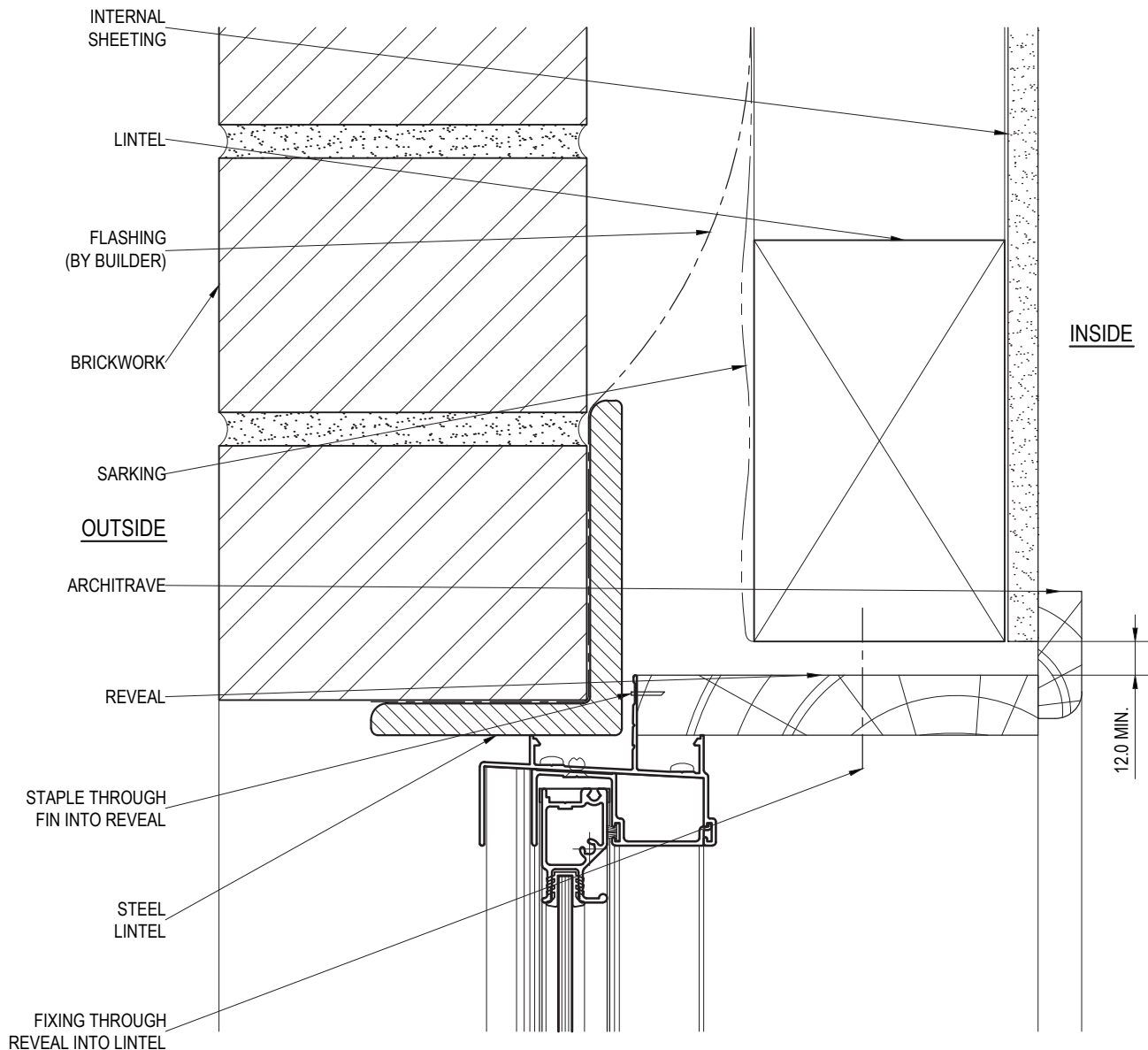


# Essential Double Hung Window (52mm)

## Installation Details

## BRICK VENEER - HEAD DETAIL



FIXINGS: UP TO AND INCLUDING SITE CLASSIFICATION OF N6, C4 (3.0 kPa) FIXINGS ARE TO BE AT 450mm CENTRE MAXIMUM. FOR SITUATIONS IN EXCESS OF THIS THE FIXINGS ARE TO BE AT 300mm CENTRES MAXIMUM. FIXING SIZE TO BE EQUIVALENT TO A Ø2.2mm STEEL NAIL MINIMUM.

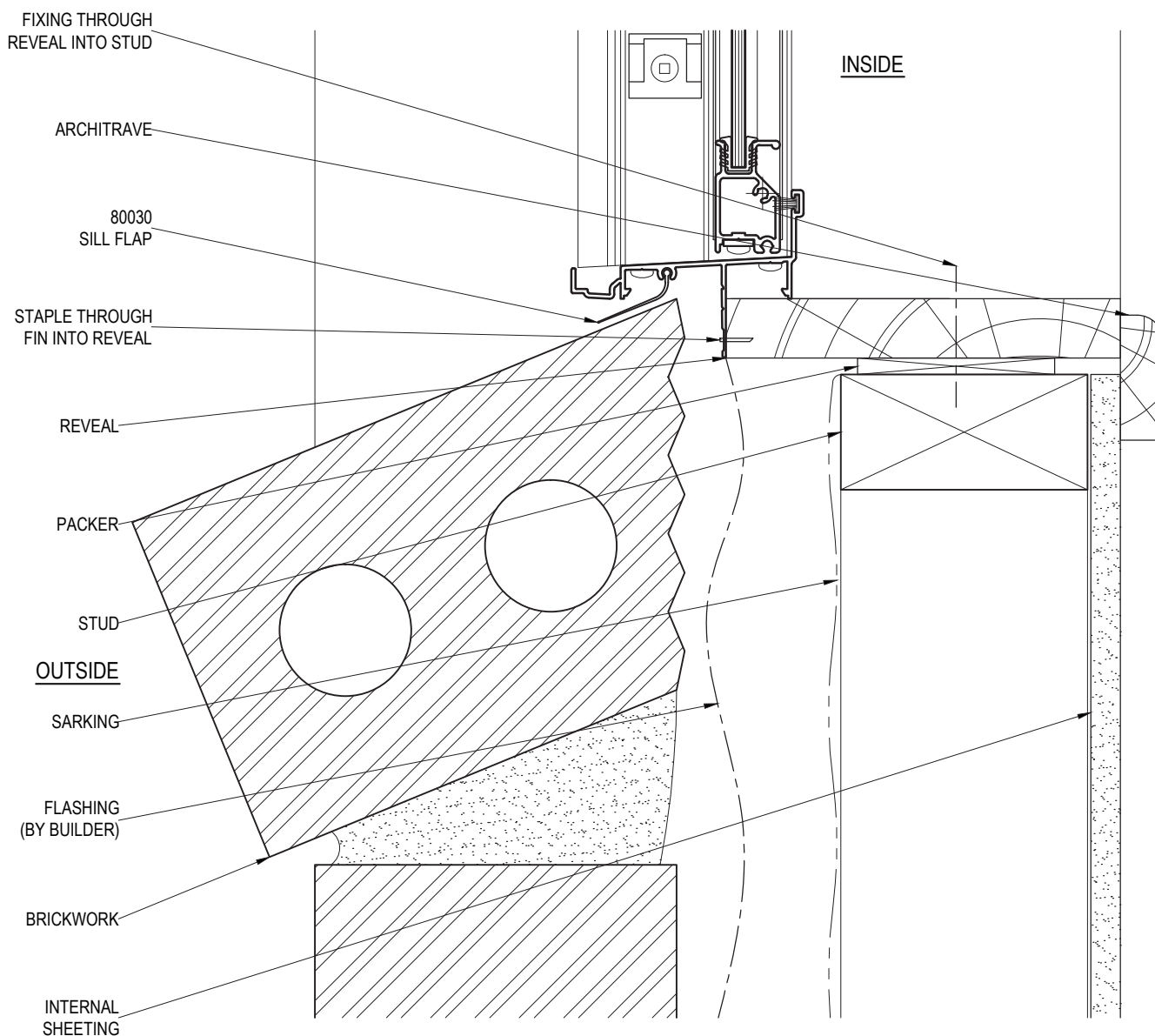
PRODUCT NO: ESS Double Hung / Fixed Lite (52mm) DATE: 05/10/12

DRAWING NO: PD228-05-01 ISSUE: D

DRAWN: DJH SCALE: 1:2

Bradnam's Windows and Doors Pty Ltd ABN 78 010 409 819 © 2012 All rights reserved.

## BRICK VENEER - SILL DETAIL



FIXINGS: UP TO AND INCLUDING SITE CLASSIFICATION OF N6, C4 (3.0 kPa) FIXINGS ARE TO BE AT 450mm CENTRE MAXIMUM. FOR SITUATIONS IN EXCESS OF THIS THE FIXINGS ARE TO BE AT 300mm CENTRES MAXIMUM. FIXING SIZE TO BE EQUIVALENT TO A Ø2.2mm STEEL NAIL MINIMUM.

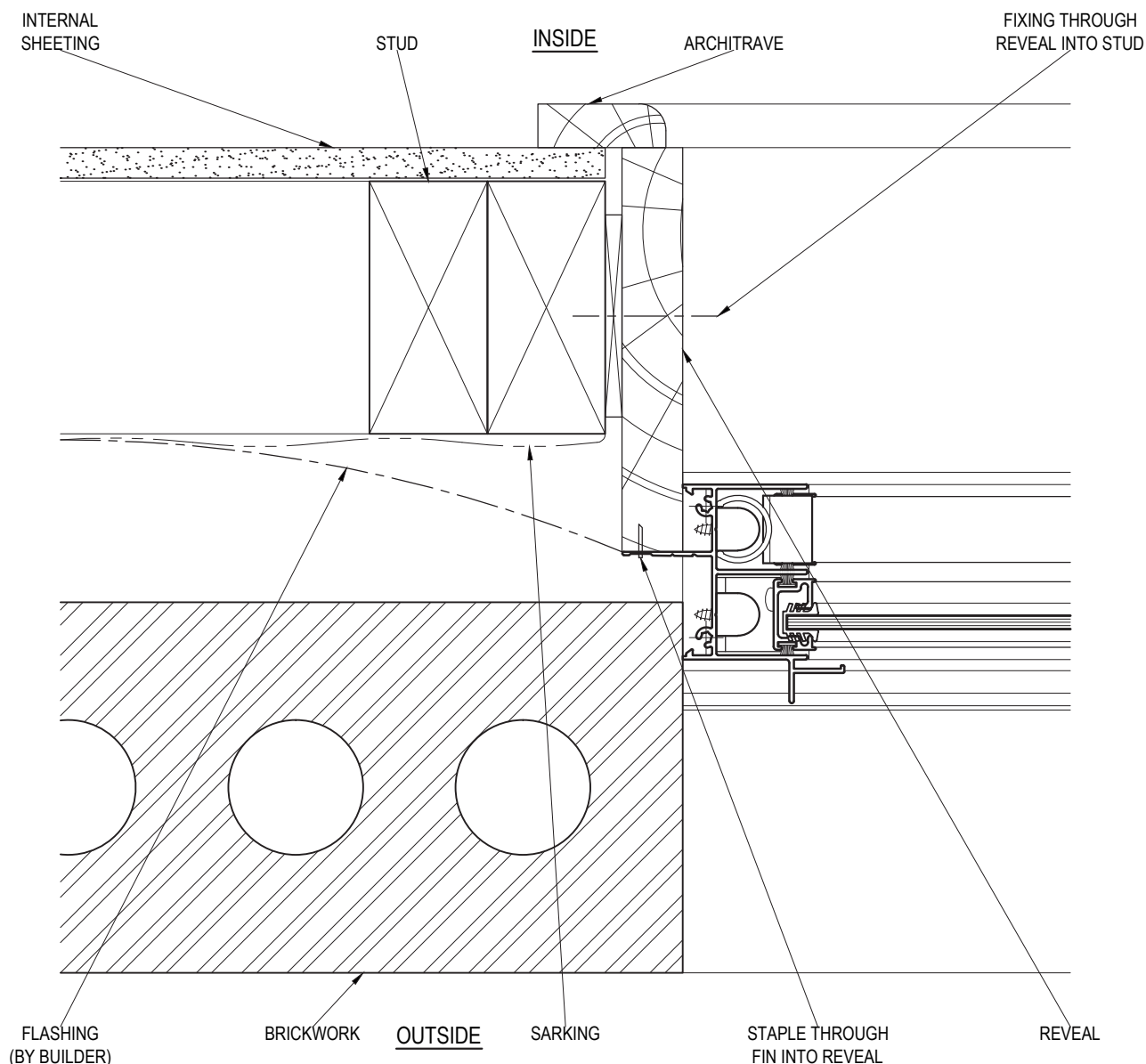
PRODUCT NO: ESS Double Hung / Fixed Lite (52mm)      DATE: 05/10/12

DRAWING NO: PD228-05-02      ISSUE: D

DRAWN: DJH      SCALE: 1:2

Bradnam's Windows and Doors Pty Ltd ABN 78 010 409 819 © 2012 All rights reserved.

BRICK VENEER - JAMB DETAIL



FIXINGS: UP TO AND INCLUDING SITE CLASSIFICATION OF N6, C4 (3.0 kPa) FIXINGS ARE TO BE AT 450mm CENTRE MAXIMUM. FOR SITUATIONS IN EXCESS OF THIS THE FIXINGS ARE TO BE AT 300mm CENTRES MAXIMUM. FIXING SIZE TO BE EQUIVALENT TO A Ø2.2mm STEEL NAIL MINIMUM.

PRODUCT NO: ESS Double Hung / Fixed Lite (52mm) DATE: 05/10/12

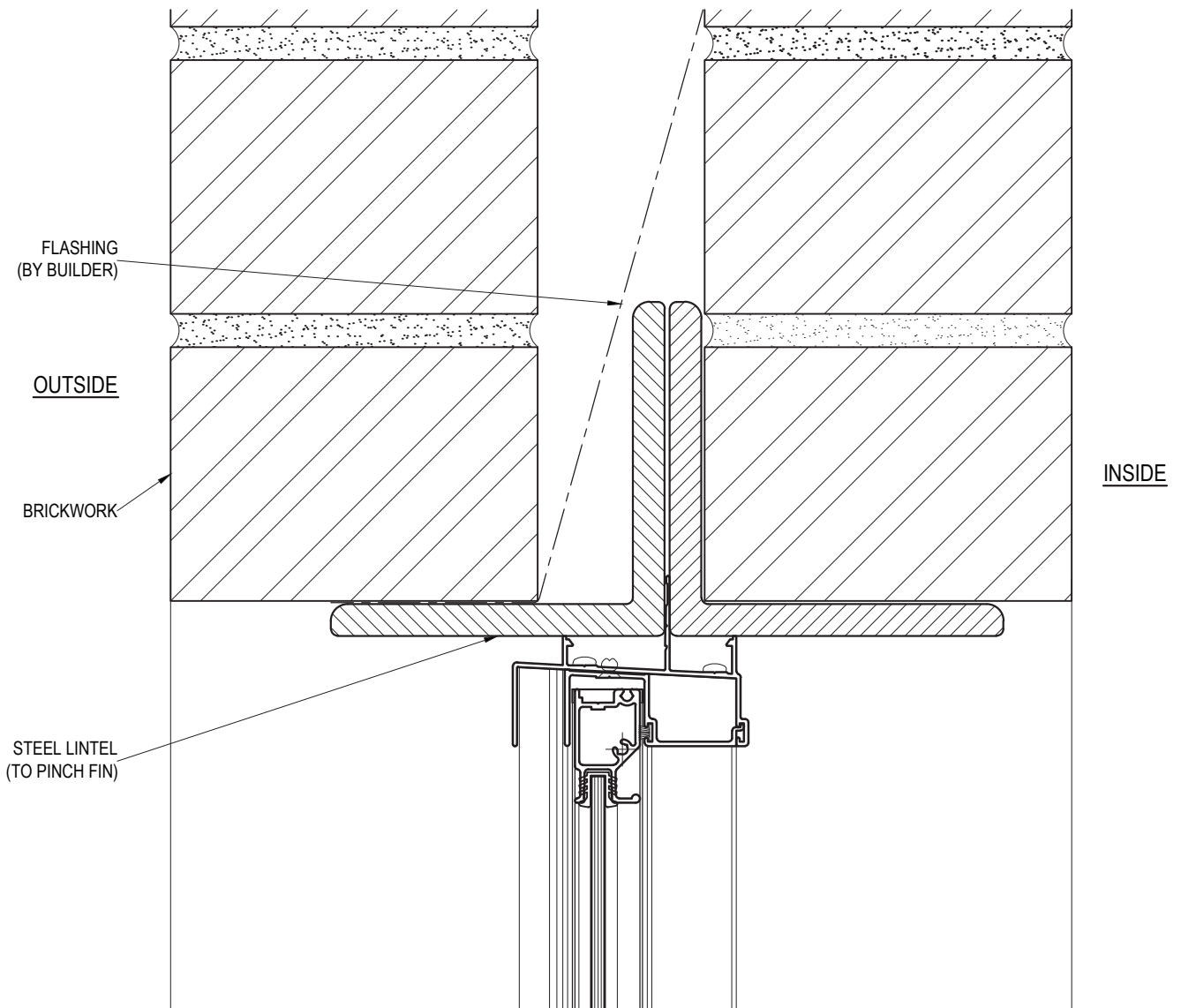
DRAWING NO: PD228-05-03 ISSUE: D

DRAWN: DJH SCALE: 1:2

Bradnam's Windows and Doors Pty Ltd ABN 78 010 409 819 © 2012 All rights reserved.



CAVITY BRICK - HEAD DETAIL

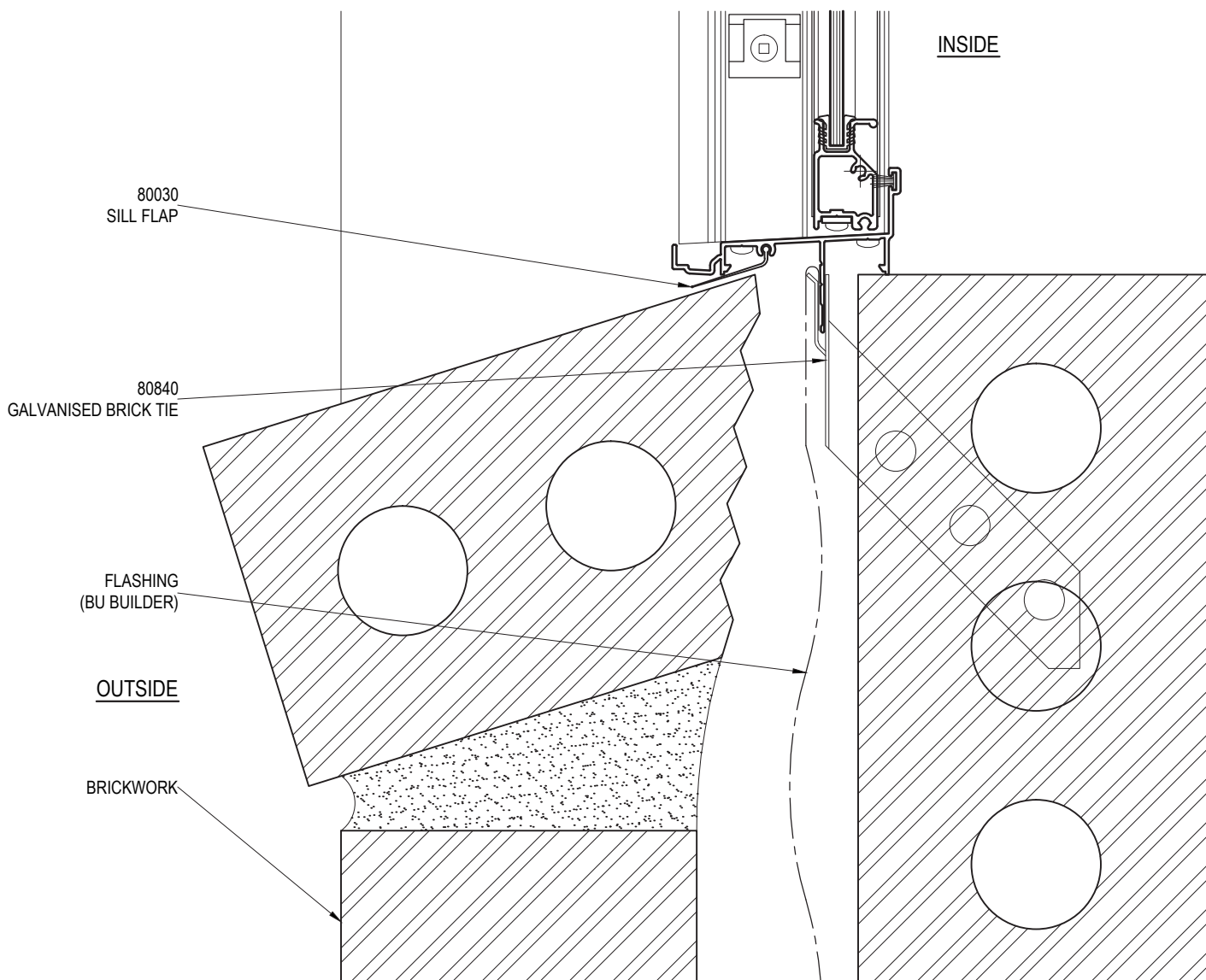


FIXINGS: UP TO AND INCLUDING SITE CLASSIFICATION OF N6, C4 (3.0 kPa) FIXINGS ARE TO BE AT 450mm CENTRE MAXIMUM. FOR SITUATIONS IN EXCESS OF THIS THE FIXINGS ARE TO BE AT 300mm CENTRES MAXIMUM. FIXING SIZE TO BE EQUIVALENT TO A Ø2.2mm STEEL NAIL MINIMUM.

PRODUCT NO:	ESS Double Hung / Fixed Lite (52mm)	DATE:	05/10/12
DRAWING NO:	PD228-05-04	ISSUE:	C
DRAWN:	DJH	SCALE:	1:2
Bradnam's Windows and Doors Pty Ltd ABN 78 010 409 819 © 2012 All rights reserved.			



CAVITY BRICK - SILL DETAIL

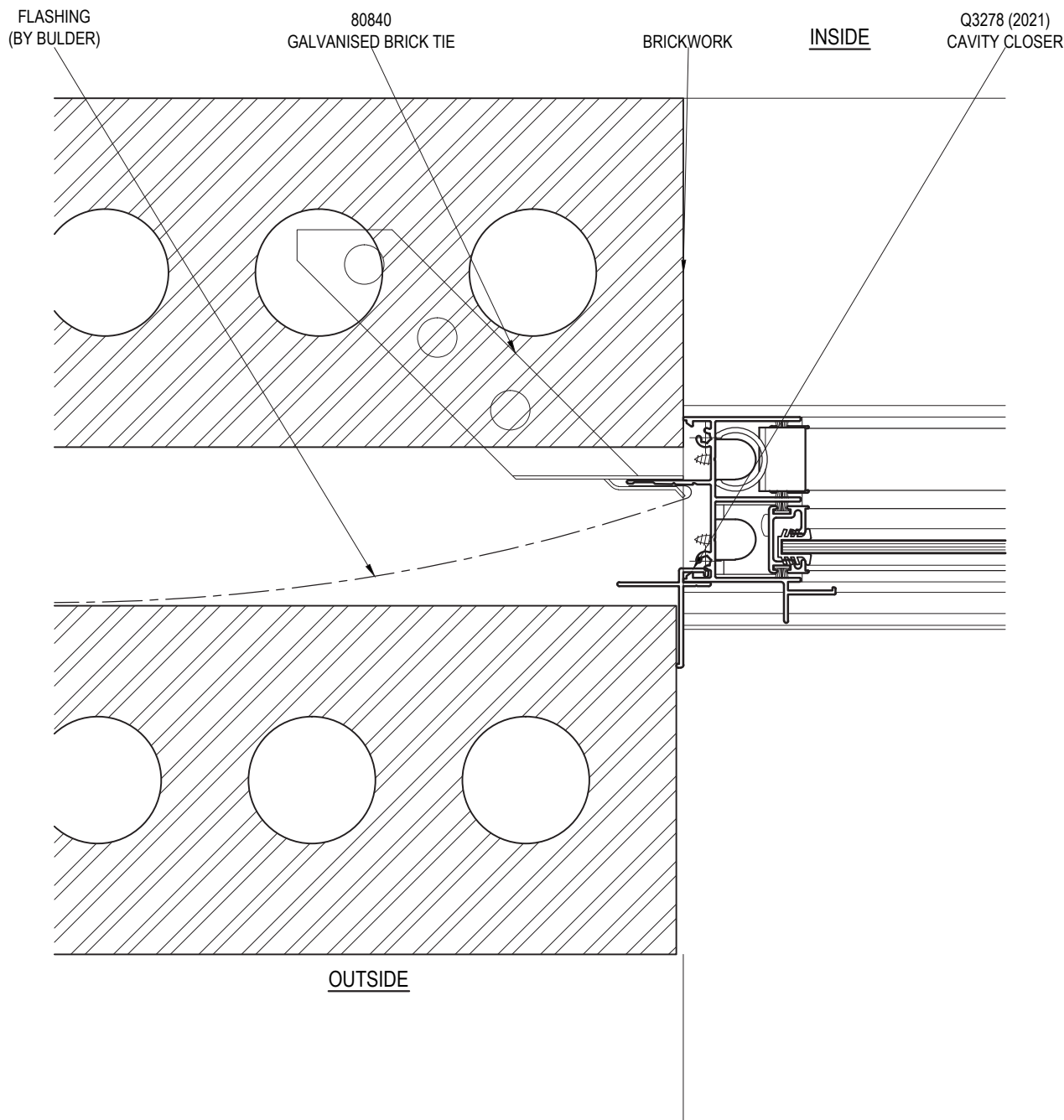


FIXINGS: UP TO AND INCLUDING SITE CLASSIFICATION OF N6, C4 (3.0 kPa) FIXINGS ARE TO BE AT 450mm CENTRE MAXIMUM. FOR SITUATIONS IN EXCESS OF THIS THE FIXINGS ARE TO BE AT 300mm CENTRES MAXIMUM. FIXING SIZE TO BE EQUIVALENT TO A Ø2.2mm STEEL NAIL MINIMUM.

PRODUCT NO:	ESS Double Hung / Fixed Lite (52mm)	DATE:	05/10/12
DRAWING NO:	PD228-05-05	ISSUE:	C
DRAWN:	DJH	SCALE:	1:2
Bradnam's Windows and Doors Pty Ltd ABN 78 010 409 819 © 2012 All rights reserved.			



CAVITY BRICK - JAMB DETAIL



FIXINGS: UP TO AND INCLUDING SITE CLASSIFICATION OF N6, C4 (3.0 kPa) FIXINGS ARE TO BE AT 450mm CENTRE MAXIMUM. FOR SITUATIONS IN EXCESS OF THIS THE FIXINGS ARE TO BE AT 300mm CENTRES MAXIMUM. FIXING SIZE TO BE EQUIVALENT TO A Ø2.2mm STEEL NAIL MINIMUM.

PRODUCT NO: ESS Double Hung / Fixed Lite (52mm) DATE: 05/10/12

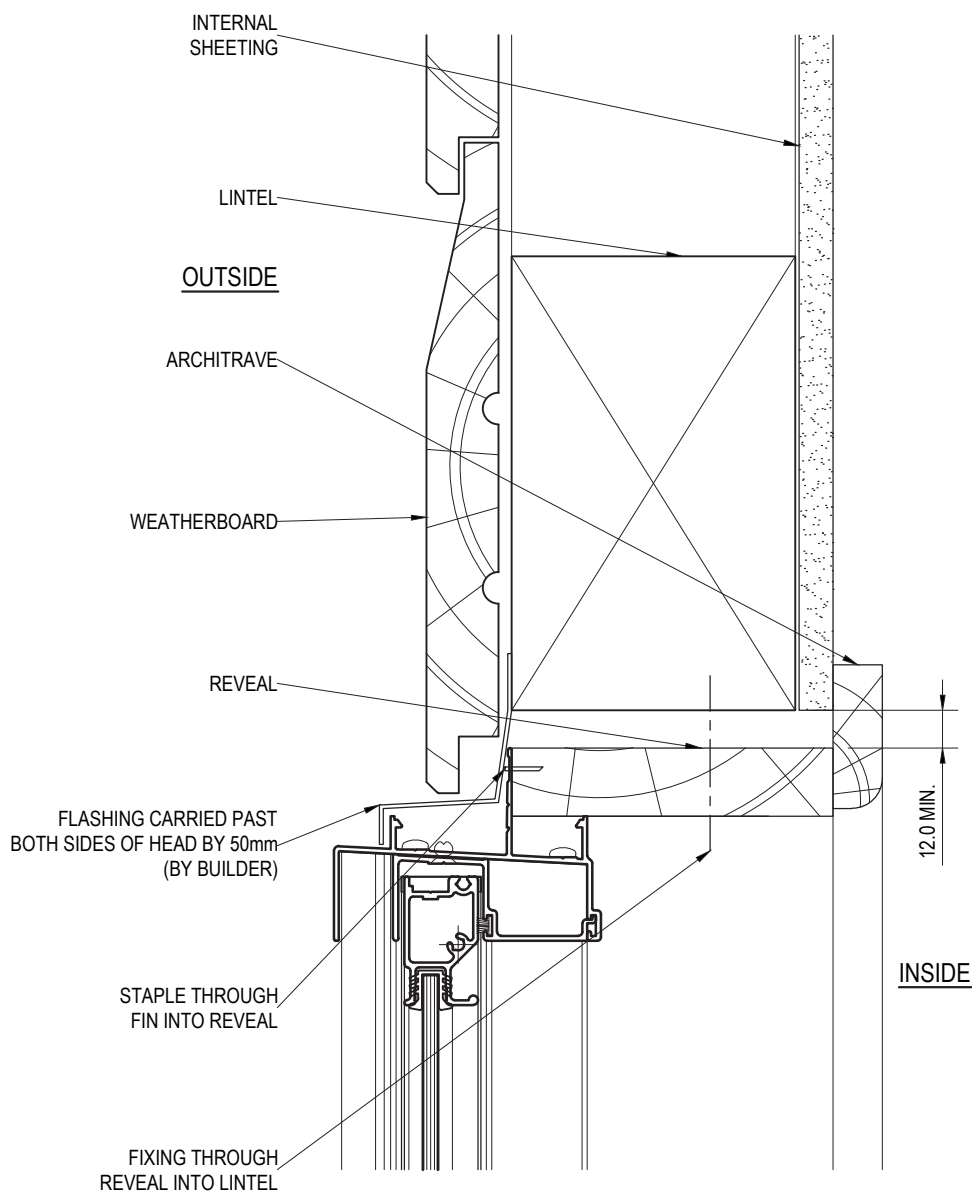
DRAWING NO: PD228-05-06 ISSUE: C

DRAWN: DJH SCALE: 1:2

Bradnam's Windows and Doors Pty Ltd ABN 78 010 409 819 © 2012 All rights reserved.



## WEATHERBOARD - HEAD DETAIL



FIXINGS: UP TO AND INCLUDING SITE CLASSIFICATION OF N6, C4 (3.0 kPa) FIXINGS ARE TO BE AT 450mm CENTRE MAXIMUM. FOR SITUATIONS IN EXCESS OF THIS THE FIXINGS ARE TO BE AT 300mm CENTRES MAXIMUM. FIXING SIZE TO BE EQUIVALENT TO A Ø2.2mm STEEL NAIL MINIMUM.

PRODUCT NO: ESS Double Hung / Fixed Lite (52mm)      DATE: 05/10/12

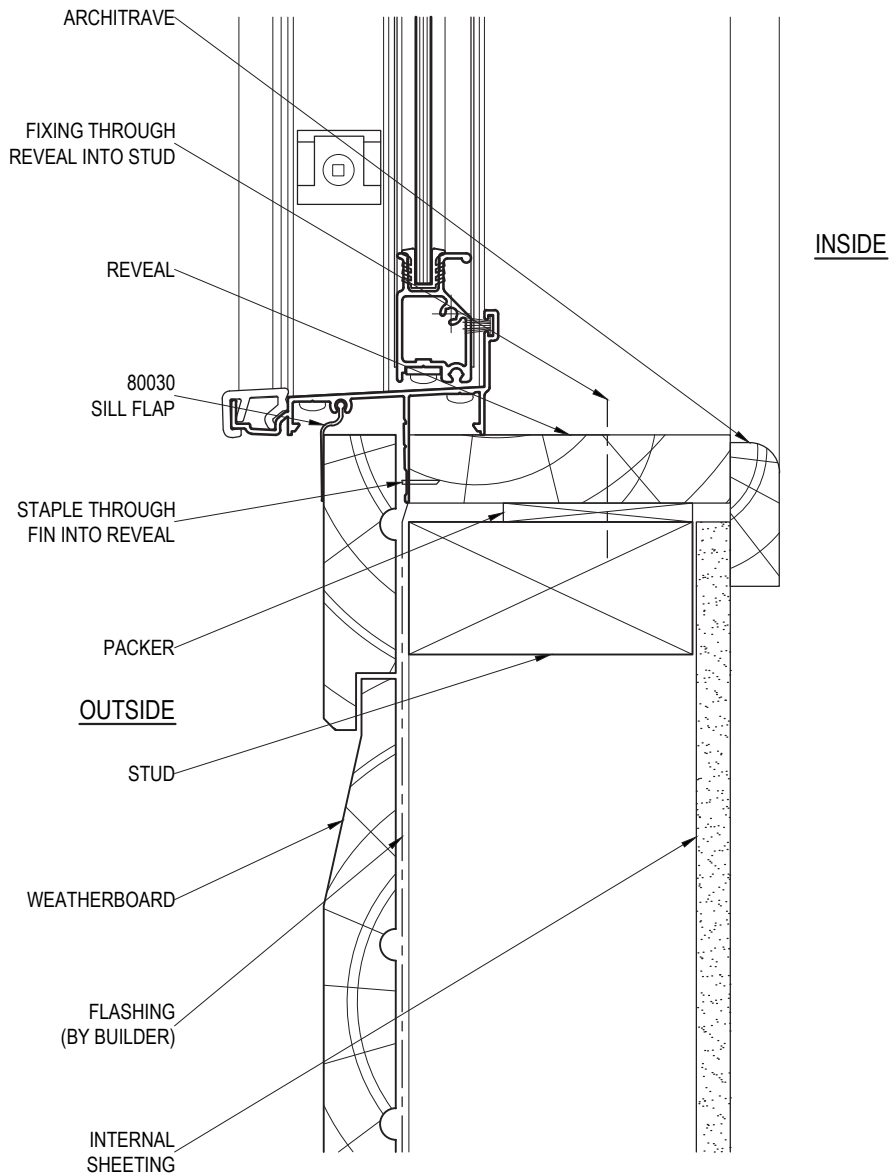
DRAWING NO: PD228-05-07      ISSUE: B

DRAWN: DJH      SCALE: 1:2

Bradnam's Windows and Doors Pty Ltd ABN 78 010 409 819 © 2012 All rights reserved.



## WEATHERBOARD - SILL DETAIL



FIXINGS: UP TO AND INCLUDING SITE CLASSIFICATION OF N6, C4 (3.0 kPa) FIXINGS ARE TO BE AT 450mm CENTRE MAXIMUM. FOR SITUATIONS IN EXCESS OF THIS THE FIXINGS ARE TO BE AT 300mm CENTRES MAXIMUM. FIXING SIZE TO BE EQUIVALENT TO A Ø2.2mm STEEL NAIL MINIMUM.

PRODUCT NO: ESS Double Hung / Fixed Lite (52mm) DATE: 05/10/12

DRAWING NO: PD228-05-08

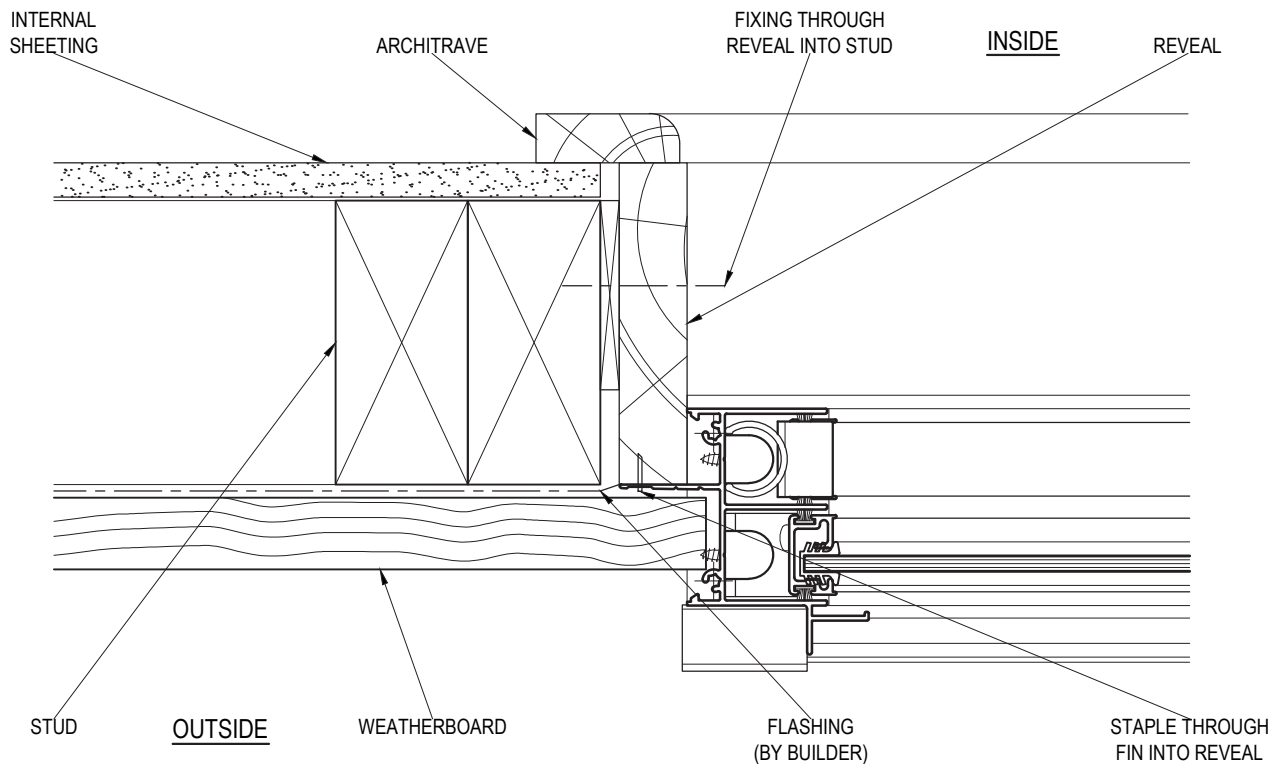
ISSUE: C

DRAWN: DJH

SCALE: 1:2

Bradnam's Windows and Doors Pty Ltd ABN 78 010 409 819 © 2012 All rights reserved.

## WEATHERBOARD - JAMB DETAIL



FIXINGS: UP TO AND INCLUDING SITE CLASSIFICATION OF N6, C4 (3.0 kPa) FIXINGS ARE TO BE AT 450mm CENTRE MAXIMUM. FOR SITUATIONS IN EXCESS OF THIS THE FIXINGS ARE TO BE AT 300mm CENTRES MAXIMUM. FIXING SIZE TO BE EQUIVALENT TO A Ø2.2mm STEEL NAIL MINIMUM.

PRODUCT NO: ESS Double Hung / Fixed Lite (52mm) DATE: 05/10/12

DRAWING NO: PD228-05-09

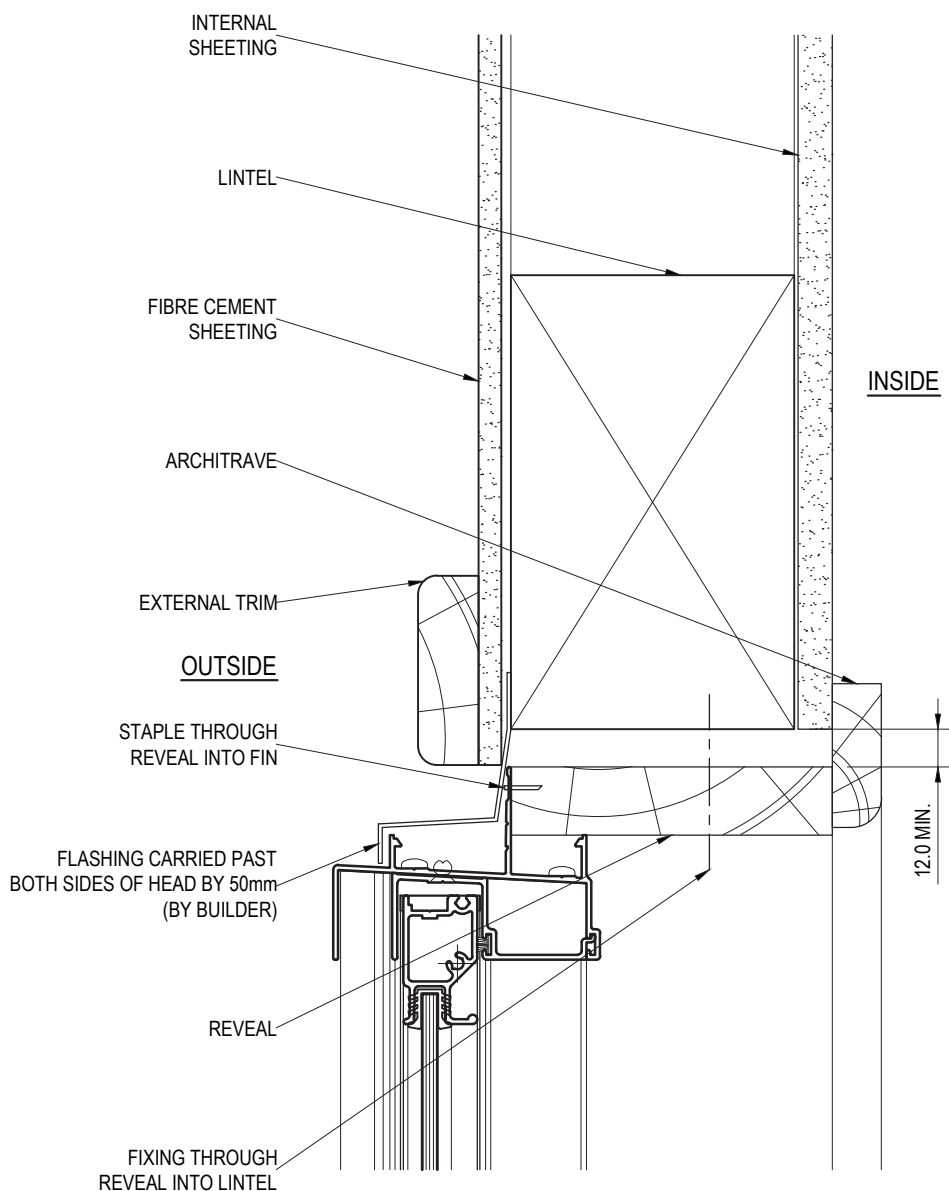
ISSUE: C

DRAWN: DJH

SCALE: 1:2

Bradnam's Windows and Doors Pty Ltd ABN 78 010 409 819 © 2012 All rights reserved.

## FIBRE CEMENT SHEET - HEAD DETAIL



FIXINGS: UP TO AND INCLUDING SITE CLASSIFICATION OF N6, C4 (3.0 kPa) FIXINGS ARE TO BE AT 450mm CENTRE MAXIMUM. FOR SITUATIONS IN EXCESS OF THIS THE FIXINGS ARE TO BE AT 300mm CENTRES MAXIMUM. FIXING SIZE TO BE EQUIVALENT TO A Ø2.2mm STEEL NAIL MINIMUM.

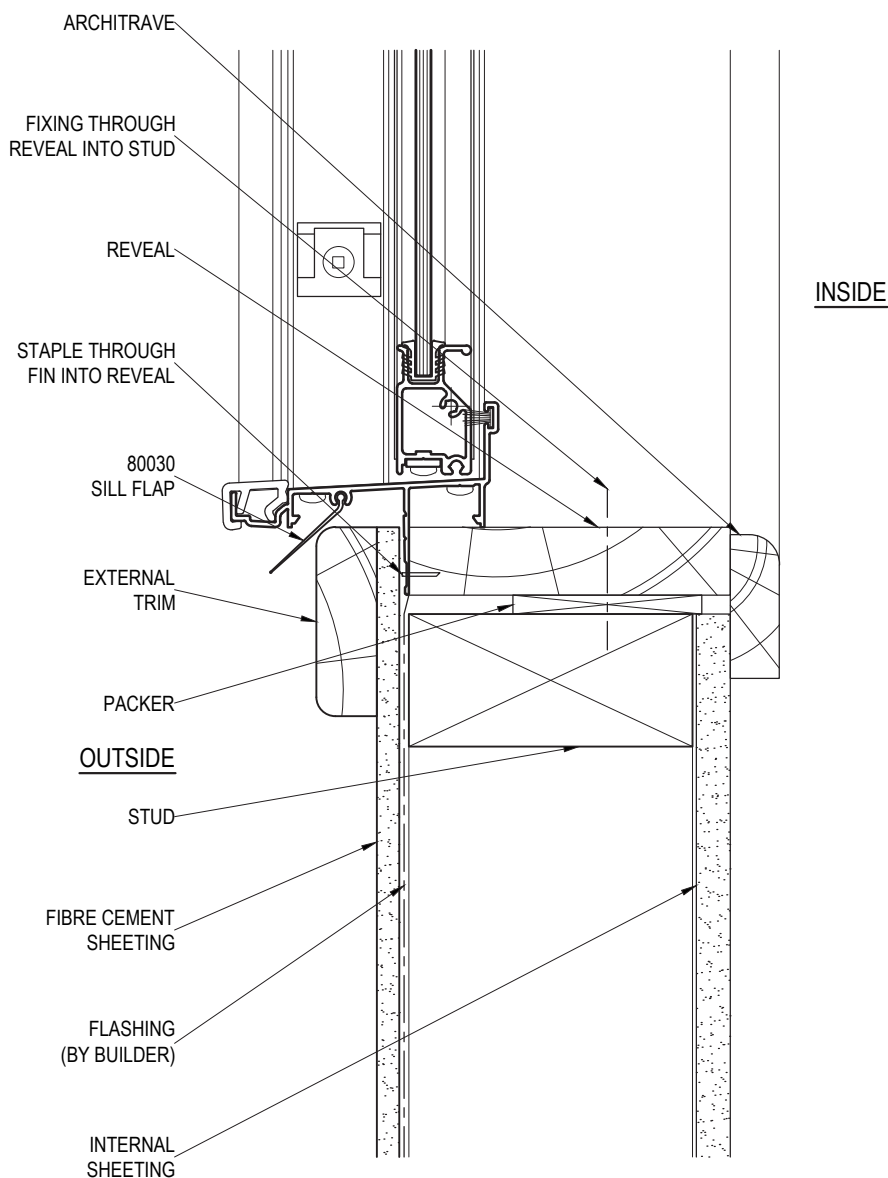
PRODUCT NO: ESS Double Hung / Fixed Lite (52mm)      DATE: 05/10/12

DRAWING NO: PD228-05-10      ISSUE: B

DRAWN: DJH      SCALE: 1:2

Bradnam's Windows and Doors Pty Ltd ABN 78 010 409 819 © 2012 All rights reserved.

## FIBRE CEMENT SHEET - SILL DETAIL



FIXINGS: UP TO AND INCLUDING SITE CLASSIFICATION OF N6, C4 (3.0 kPa) FIXINGS ARE TO BE AT 450mm CENTRE MAXIMUM. FOR SITUATIONS IN EXCESS OF THIS THE FIXINGS ARE TO BE AT 300mm CENTRES MAXIMUM. FIXING SIZE TO BE EQUIVALENT TO A Ø2.2mm STEEL NAIL MINIMUM.

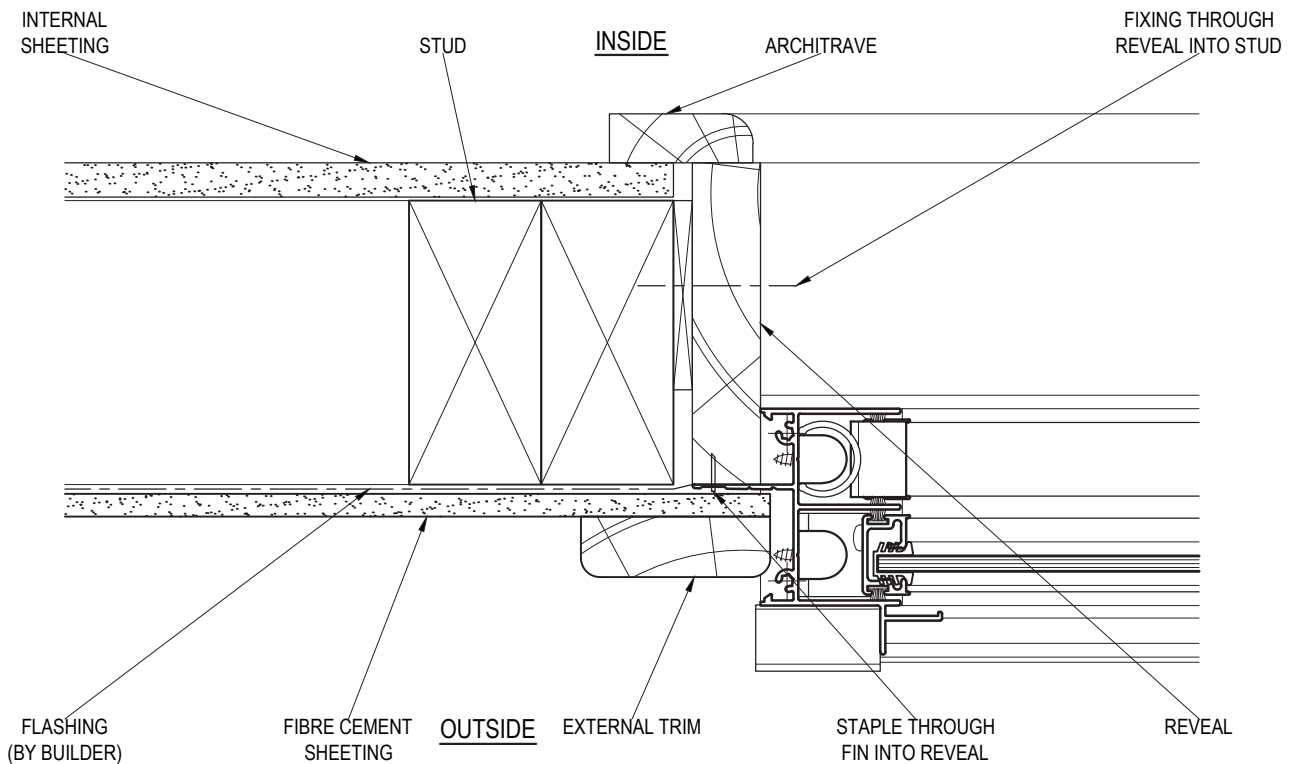
PRODUCT NO: ESS Double Hung / Fixed Lite (52mm) DATE: 05/10/12

DRAWING NO: PD228-05-11 ISSUE: C

DRAWN: DJH SCALE: 1:2

Bradnam's Windows and Doors Pty Ltd ABN 78 010 409 819 © 2012 All rights reserved.

FIBRE CEMENT SHEET - JAMB DETAIL

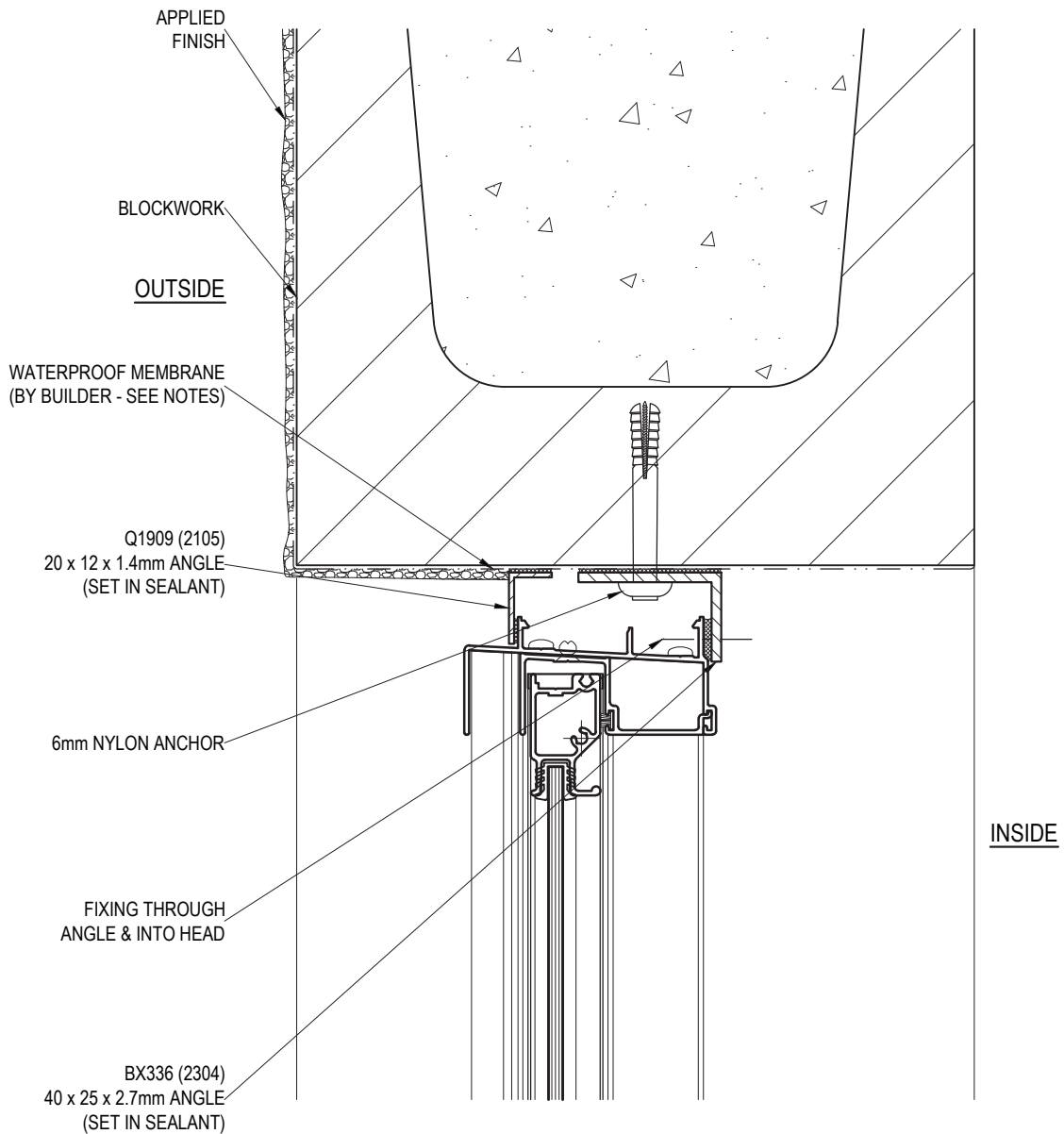


FIXINGS: UP TO AND INCLUDING SITE CLASSIFICATION OF N6, C4 (3.0 kPa) FIXINGS ARE TO BE AT 450mm CENTRE MAXIMUM. FOR SITUATIONS IN EXCESS OF THIS THE FIXINGS ARE TO BE AT 300mm CENTRES MAXIMUM. FIXING SIZE TO BE EQUIVALENT TO A Ø2.2mm STEEL NAIL MINIMUM.

PRODUCT NO:	ESS Double Hung / Fixed Lite (52mm)	DATE:	05/10/12
DRAWING NO:	PD228-05-12	ISSUE:	C
DRAWN:	DJH	SCALE:	1:2
Bradnam's Windows and Doors Pty Ltd ABN 78 010 409 819 © 2012 All rights reserved.			



## BLOCKWORK - HEAD DETAIL



NOTE: SURFACE OF BLOCKS TO DOOR / WINDOW OPENING MUST BE TANKED WITH A SUITABLE SEALER TO PREVENT INGRESS OF MOISTURE. ENSURE MEMBRANE IS COMPATIBLE WITH A 1 PART POLYURETHANE SEALANT E.G. SIKAFLEX PRO 2HP.

FIXINGS: UP TO AND INCLUDING SITE CLASSIFICATION OF N6, C4 (3.0 kPa) FIXINGS ARE TO BE AT 450mm CENTRE MAXIMUM. FOR SITUATIONS IN EXCESS OF THIS THE FIXINGS ARE TO BE AT 300mm CENTRES MAXIMUM. FIXING SIZE TO BE EQUIVALENT TO A Ø2.2mm STEEL NAIL MINIMUM.

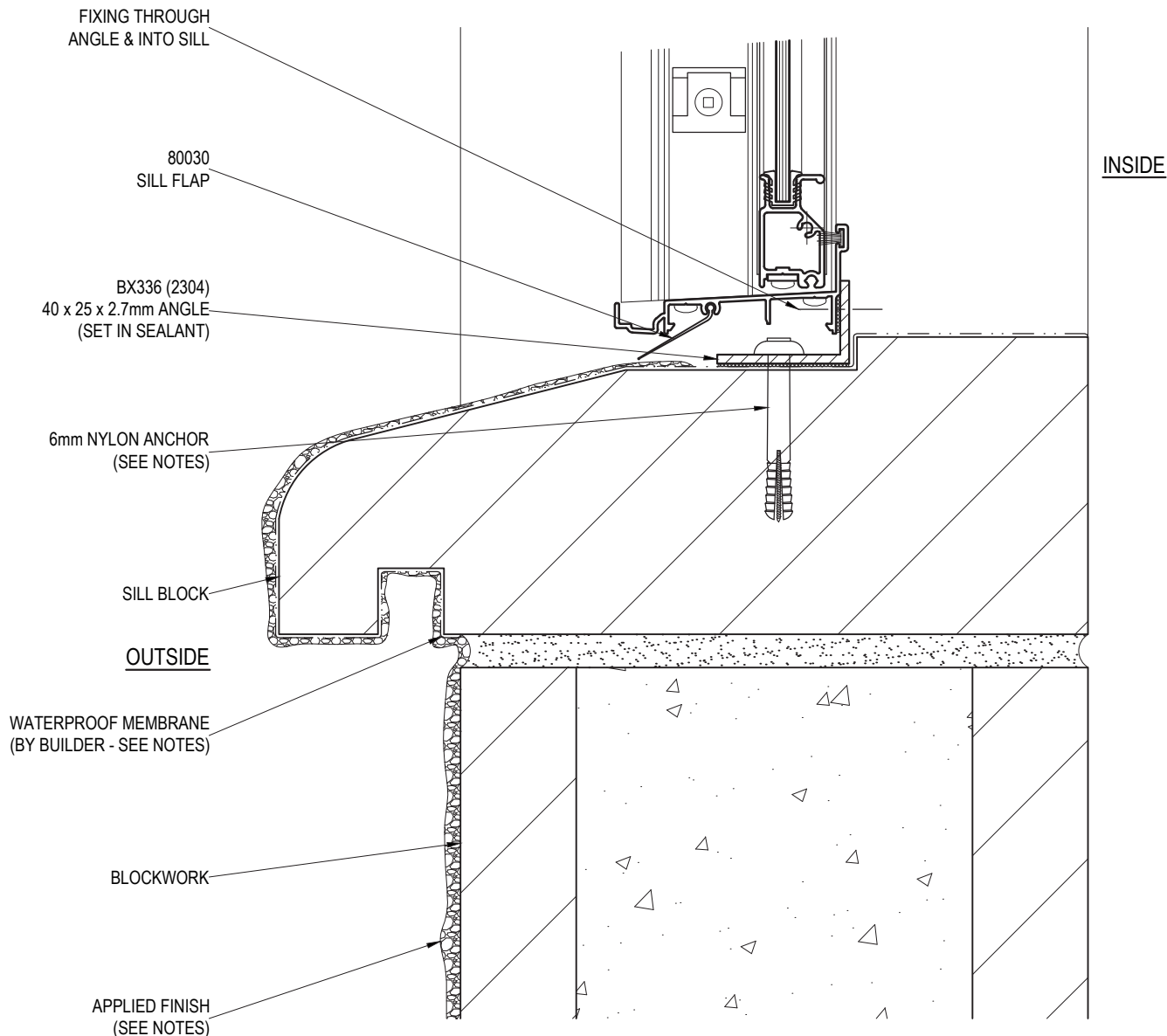
PRODUCT NO: ESS Double Hung / Fixed Lite (52mm) DATE: 05/10/12

DRAWING NO: PD228-05-13 ISSUE: B

DRAWN: DJH SCALE: 1:2

Bradnam's Windows and Doors Pty Ltd ABN 78 010 409 819 © 2012 All rights reserved.

## BLOCKWORK - SILL DETAIL (USING SILL BLOCK)



NOTE: ENSURE THAT ANY APPLIED FINISH DOES NOT RESTRICT DRAINAGE FROM UNDER THE SILL. SEAL COAT MUST OVERLAP END OF APPLIED FINISH TO SILL TANKING.

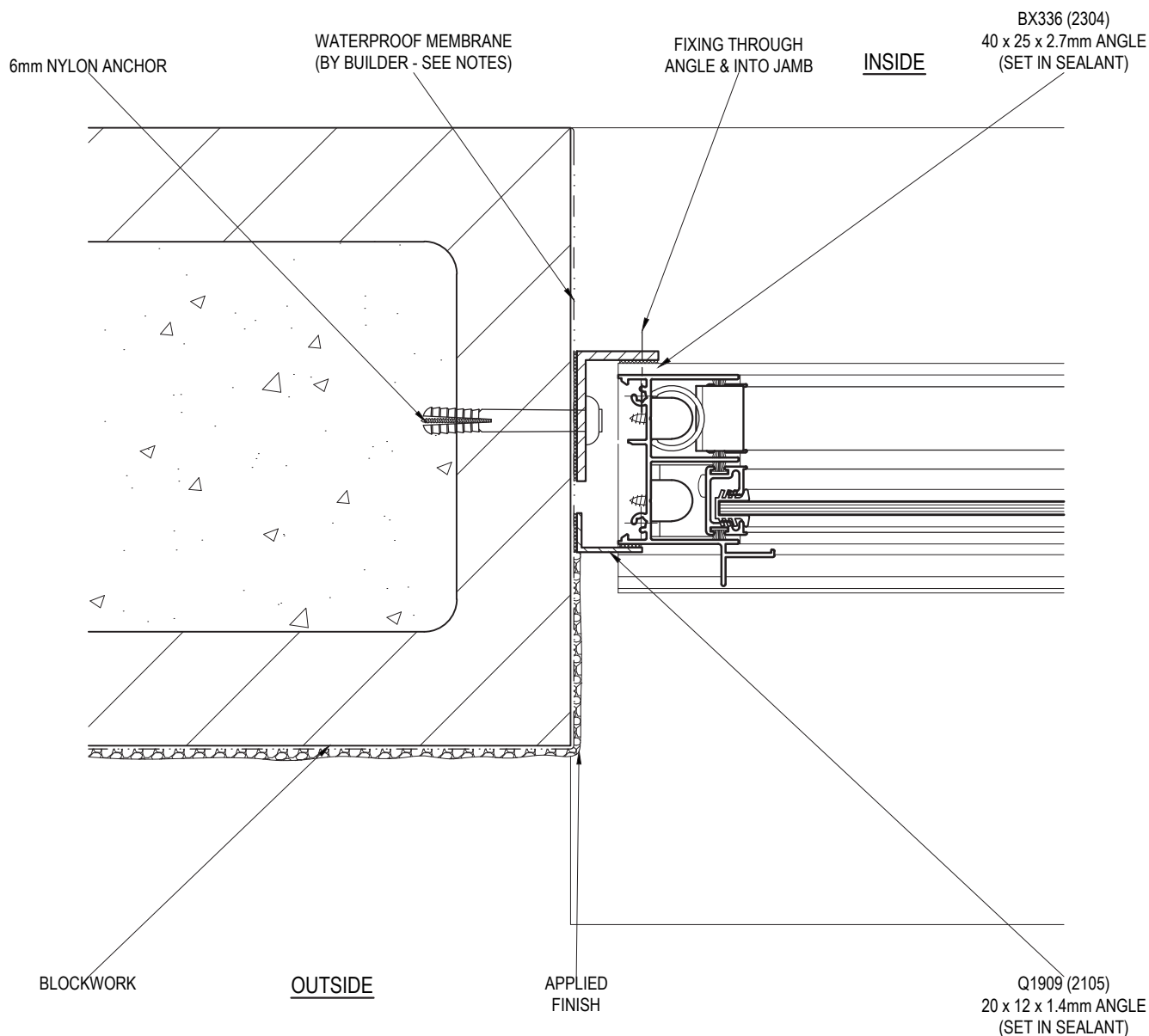
SURFACE OF BLOCKS TO DOOR / WINDOW OPENING MUST BE TANKED WITH A SUITABLE SEALER TO PREVENT INGRESS OF MOISTURE. ENSURE MEMBRANE IS COMPATIBLE WITH A 1 PART POLYURETHANE SEALANT E.G. SIKAFLEX PRO 2HP.

FIXING HOLES TO SILLS MUST BE FILLED WITH SEALANT PRIOR TO INSERTING FASTENERS TO RESTORE WATERPROOFING MEMBRANE. HEAD OF FASTENERS TO SILLS SHOULD BE SEALED OVER.

FIXINGS: UP TO AND INCLUDING SITE CLASSIFICATION OF N6, C4 (3.0 kPa) FIXINGS ARE TO BE AT 450mm CENTRE MAXIMUM. FOR SITUATIONS IN EXCESS OF THIS THE FIXINGS ARE TO BE AT 300mm CENTRES MAXIMUM. FIXING SIZE TO BE EQUIVALENT TO A Ø2.2mm STEEL NAIL MINIMUM.

PRODUCT NO:	ESS Double Hung / Fixed Lite (52mm)	DATE:	05/10/12
DRAWING NO:	PD228-05-14	ISSUE:	C
DRAWN:	DJH	SCALE:	1:2
Bradnam's Windows and Doors Pty Ltd ABN 78 010 409 819 © 2012 All rights reserved.			

## BLOCKWORK - JAMB DETAIL



NOTE: SURFACE OF BLOCKS TO DOOR / WINDOW OPENING MUST BE TANKED WITH A SUITABLE SEALER TO PREVENT INGRESS OF MOISTURE. ENSURE MEMBRANE IS COMPATIBLE WITH A 1 PART POLYURETHANE SEALANT E.G. SIKAFLEX PRO 2HP.

FIXINGS: UP TO AND INCLUDING SITE CLASSIFICATION OF N6, C4 (3.0 kPa) FIXINGS ARE TO BE AT 450mm CENTRE MAXIMUM. FOR SITUATIONS IN EXCESS OF THIS THE FIXINGS ARE TO BE AT 300mm CENTRES MAXIMUM. FIXING SIZE TO BE EQUIVALENT TO A Ø2.2mm STEEL NAIL MINIMUM.

PRODUCT NO: ESS Double Hung / Fixed Lite (52mm) DATE: 05/10/12

DRAWING NO: PD228-05-15

ISSUE: B

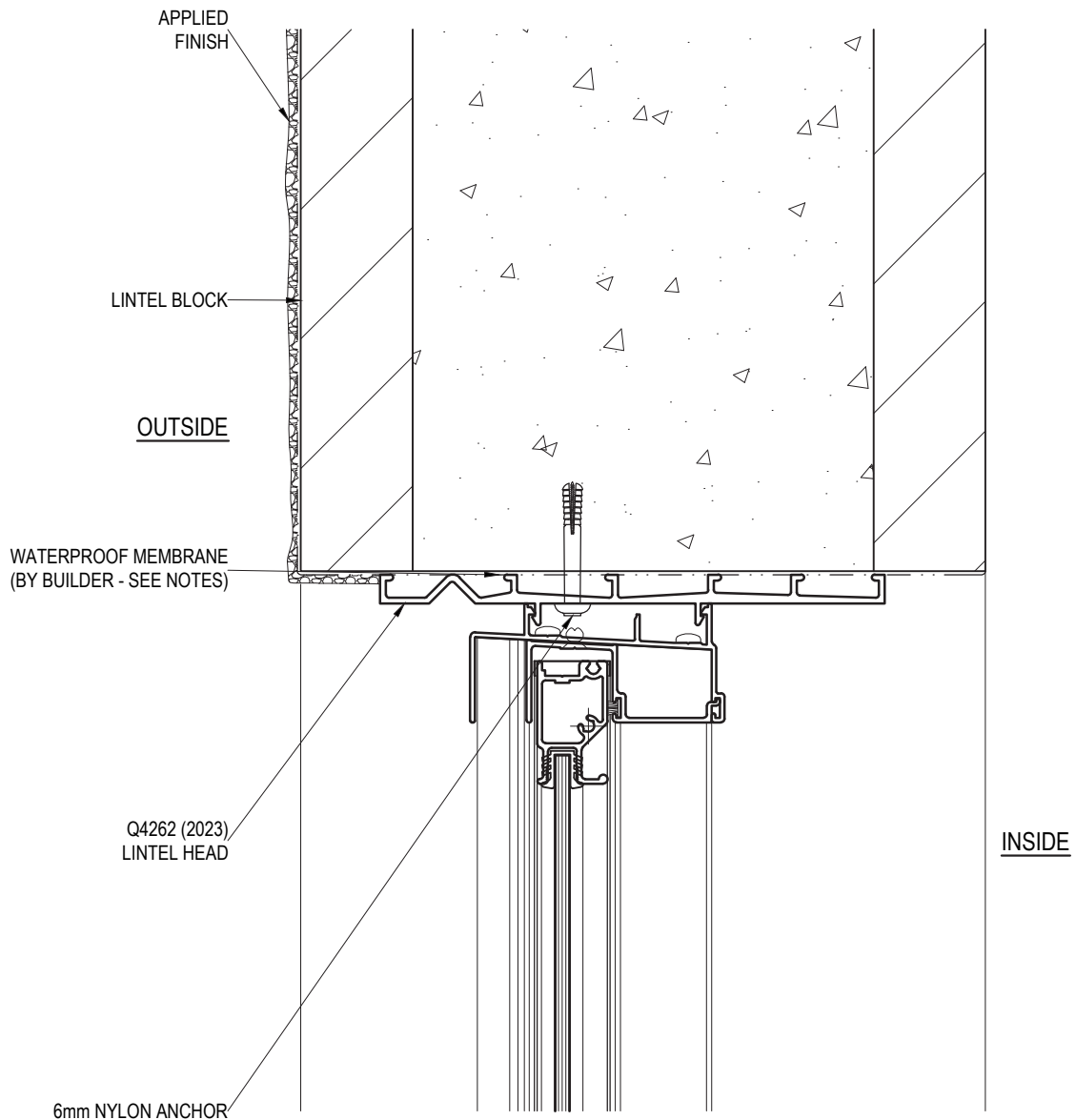
DRAWN: DJH

SCALE: 1:2

Bradnam's Windows and Doors Pty Ltd ABN 78 010 409 819 © 2012 All rights reserved.



## BLOCKWORK WITH Q4262 (2023) LINTEL HEAD - HEAD DETAIL



NOTE: SURFACE OF BLOCKS TO DOOR / WINDOW OPENING MUST BE TANKED WITH A SUITABLE SEALER TO PREVENT INGRESS OF MOISTURE. ENSURE MEMBRANE IS COMPATIBLE WITH A 1 PART POLYURETHANE SEALANT E.G. SIKAFLEX PRO 2HP.

FIXINGS: UP TO AND INCLUDING SITE CLASSIFICATION OF N6, C4 (3.0 kPa) FIXINGS ARE TO BE AT 450mm CENTRE MAXIMUM. FOR SITUATIONS IN EXCESS OF THIS THE FIXINGS ARE TO BE AT 300mm CENTRES MAXIMUM. FIXING SIZE TO BE EQUIVALENT TO A Ø2.2mm STEEL NAIL MINIMUM.

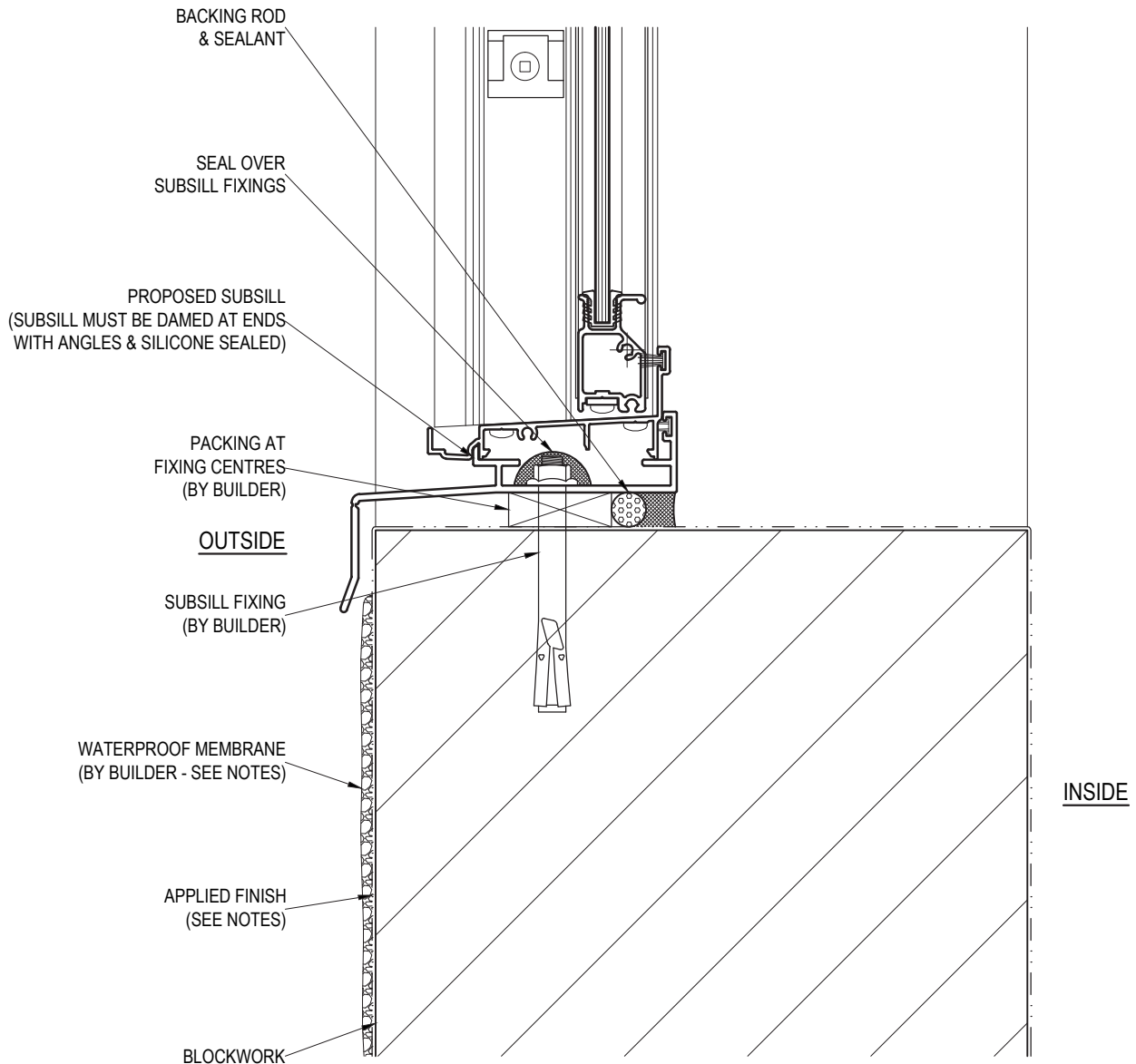
PRODUCT NO: ESS Double Hung / Fixed Lite (52mm) DATE: 05/10/12

DRAWING NO: PD228-05-16 ISSUE: B

DRAWN: DJH SCALE: 1:2

Bradnam's Windows and Doors Pty Ltd ABN 78 010 409 819 © 2012 All rights reserved.

## BLOCKWORK - SILL DETAIL USING SUBSILL (WHEN HIGH PERFORMANCE REQUIRED)



NOTE: ENSURE THAT ANY APPLIED FINISH DOES NOT RESTRICT DRAINAGE FROM UNDER THE SILL. SEAL COAT MUST OVERLAP END OF APPLIED FINISH TO SILL TANKING.

SURFACE OF BLOCKS TO DOOR / WINDOW OPENING MUST BE TANKED WITH A SUITABLE SEALER TO PREVENT INGRESS OF MOISTURE. ENSURE THAT THE SURFACES TO BE SEALED ARE SOUND, CLEAN, DRY AND FREE FROM ANY SURFACE CONTAMINANTS.

FIXING HOLES TO SILLS MUST BE FILLED WITH SEALANT PRIOR TO INSERTING FASTENERS TO RESTORE WATERPROOFING MEMBRANE. HEAD OF FASTENERS TO SILLS SHOULD BE SEALED OVER.

FIXINGS: UP TO AND INCLUDING SITE CLASSIFICATION OF N6, C4 (3.0 kPa) FIXINGS ARE TO BE AT 450mm CENTRE MAXIMUM. FOR SITUATIONS IN EXCESS OF THIS THE FIXINGS ARE TO BE AT 300mm CENTRES MAXIMUM. FIXING SIZE TO BE EQUIVALENT TO A Ø2.2mm STEEL NAIL MINIMUM.

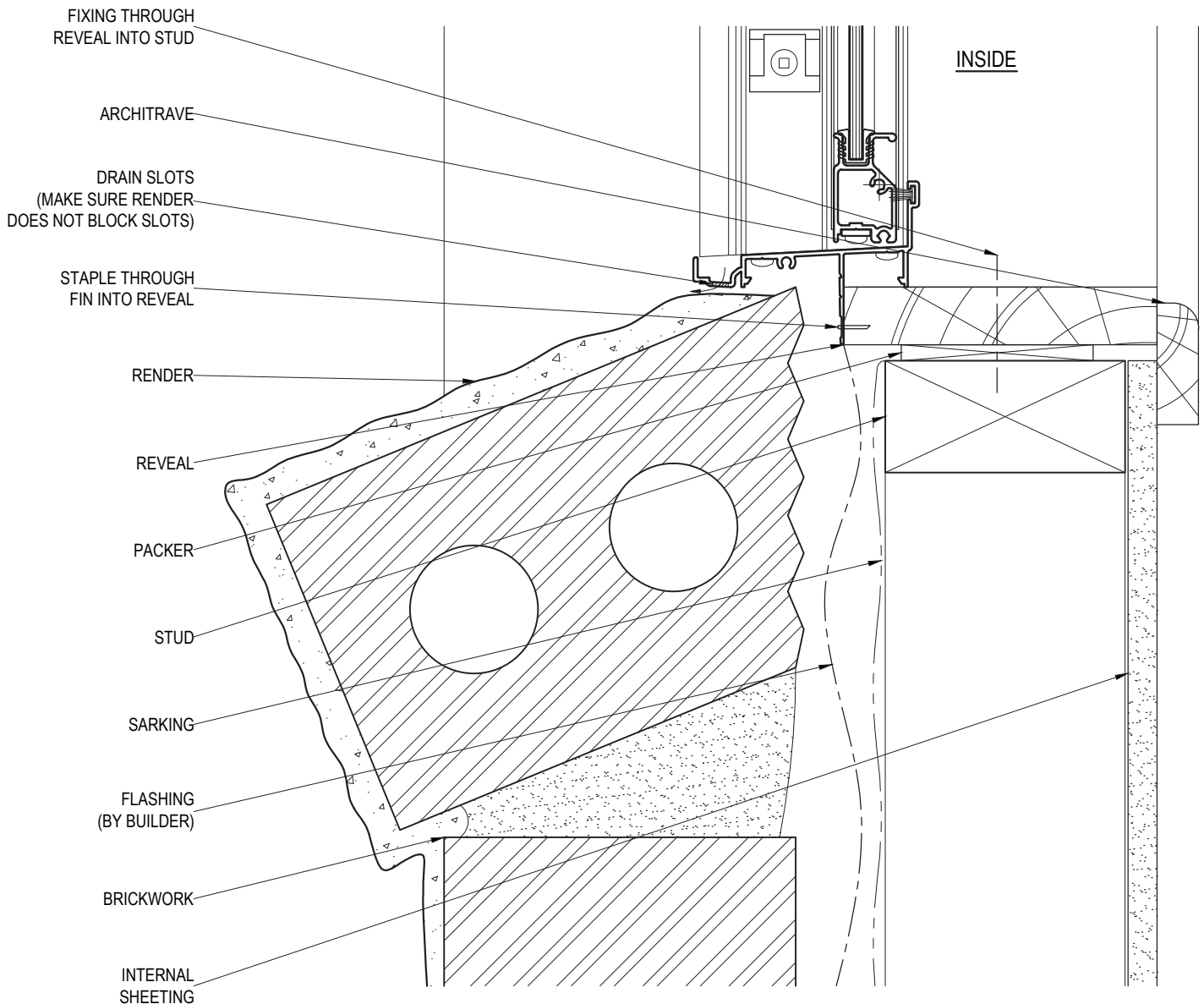
PRODUCT NO: ESS Double Hung / Fixed Lite (52mm) DATE: 05/10/12

DRAWING NO: PD228-05-17 ISSUE: B

DRAWN: DJH SCALE: 1:2

Bradnam's Windows and Doors Pty Ltd ABN 78 010 409 819 © 2012 All rights reserved.

## RENDERED SURFACES - SILL DETAIL



FIXINGS: UP TO AND INCLUDING SITE CLASSIFICATION OF N6, C4 (3.0 kPa) FIXINGS ARE TO BE AT 450mm CENTRE MAXIMUM. FOR SITUATIONS IN EXCESS OF THIS THE FIXINGS ARE TO BE AT 300mm CENTRES MAXIMUM. FIXING SIZE TO BE EQUIVALENT TO A Ø2.2mm STEEL NAIL MINIMUM.

PRODUCT NO: ESS Double Hung / Fixed Lite (52mm) DATE: 05/10/12

DRAWING NO: PD228-05-02 ISSUE: B

DRAWN: DJH SCALE: 1:2

Bradnam's Windows and Doors Pty Ltd ABN 78 010 409 819 © 2012 All rights reserved.