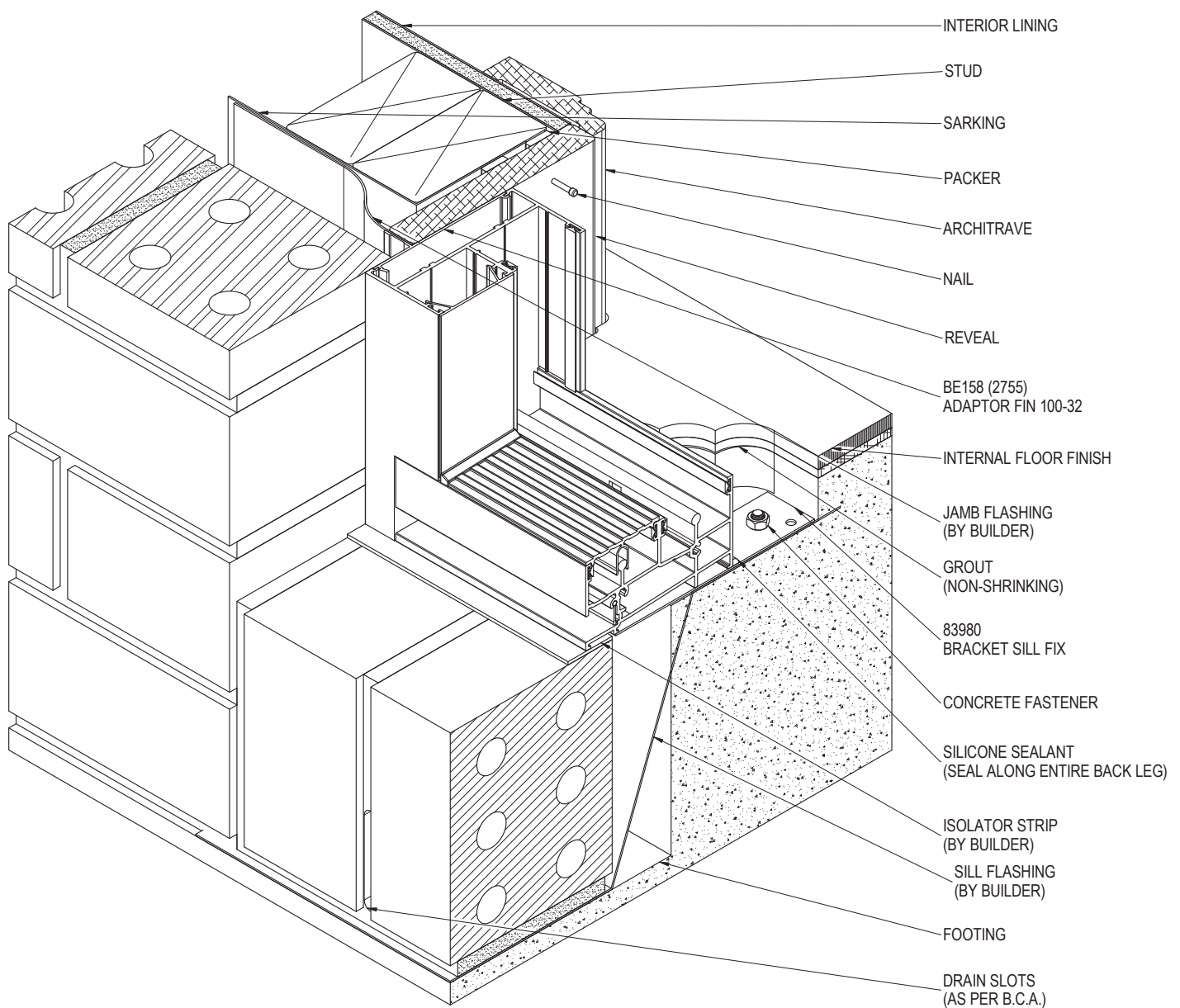


# Commercial Sliding Door (100mm, 150mm)

## Installation Details

**BRICK VENEER CONSTRUCTION - SILL & JAMB DETAIL**



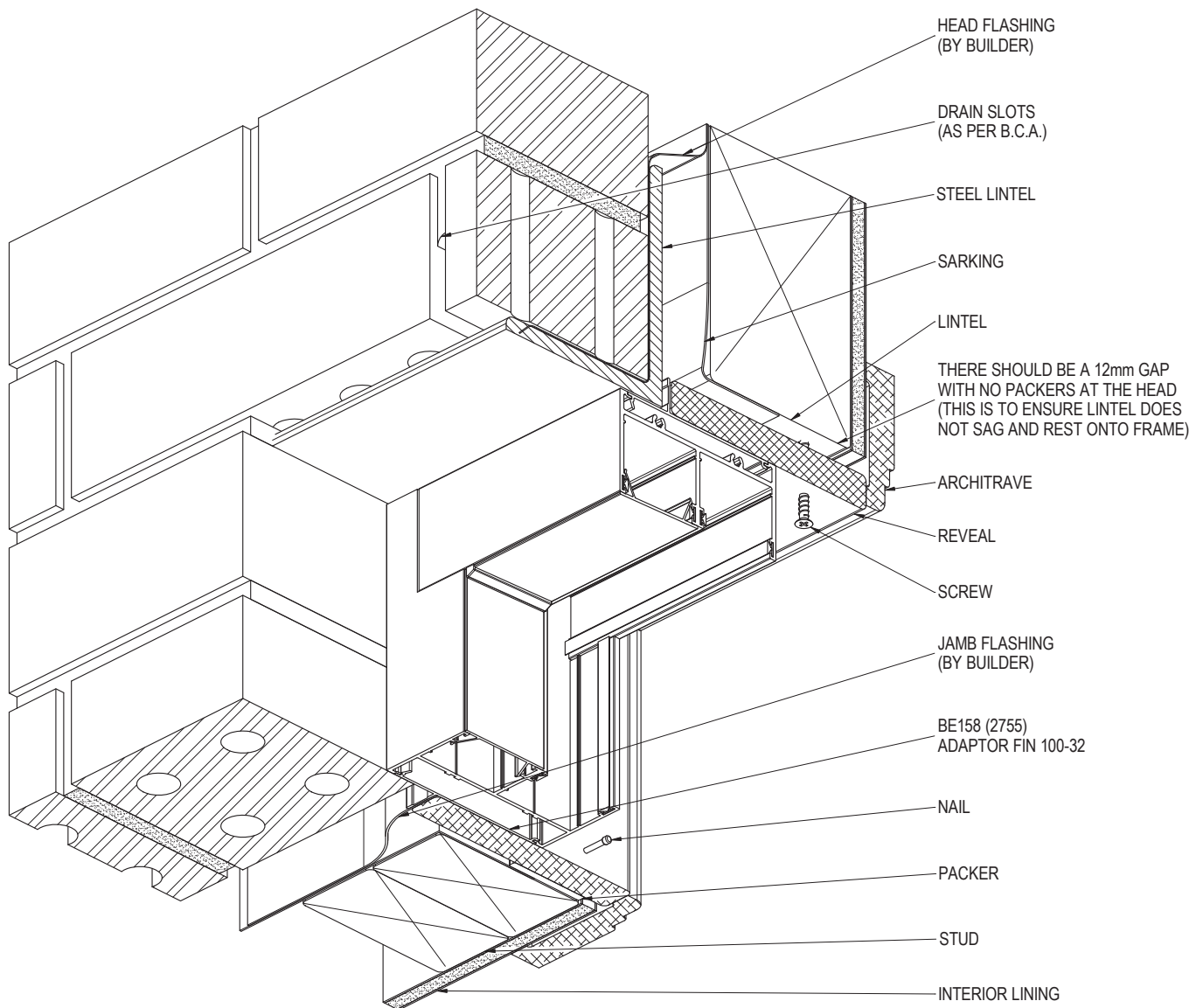
FIXINGS UP TO AND INCLUDING SITE CLASSIFICATION OF N6, C4 (3.0kPa) FIXINGS ARE TO BE AT 450mm CENTRE MAXIMUM. FOR SITUATIONS IN EXCESS OF THIS THE FIXINGS ARE TO BE AT 300mm CENTRES MAXIMUM. FIXING SIZE TO BE EQUIVALENT TO A  $\phi$  2.2mm STEEL NAIL MINIMUM.

PRODUCT NO: AIRLIE 900  
DRAWING NO: AIRL-CD-02-01  
DRAWN: DJH

DATE: 28/11/14  
ISSUE: B  
SCALE: 1 : 3



**BRICK VENEER CONSTRUCTION - HEAD & JAMB DETAIL**



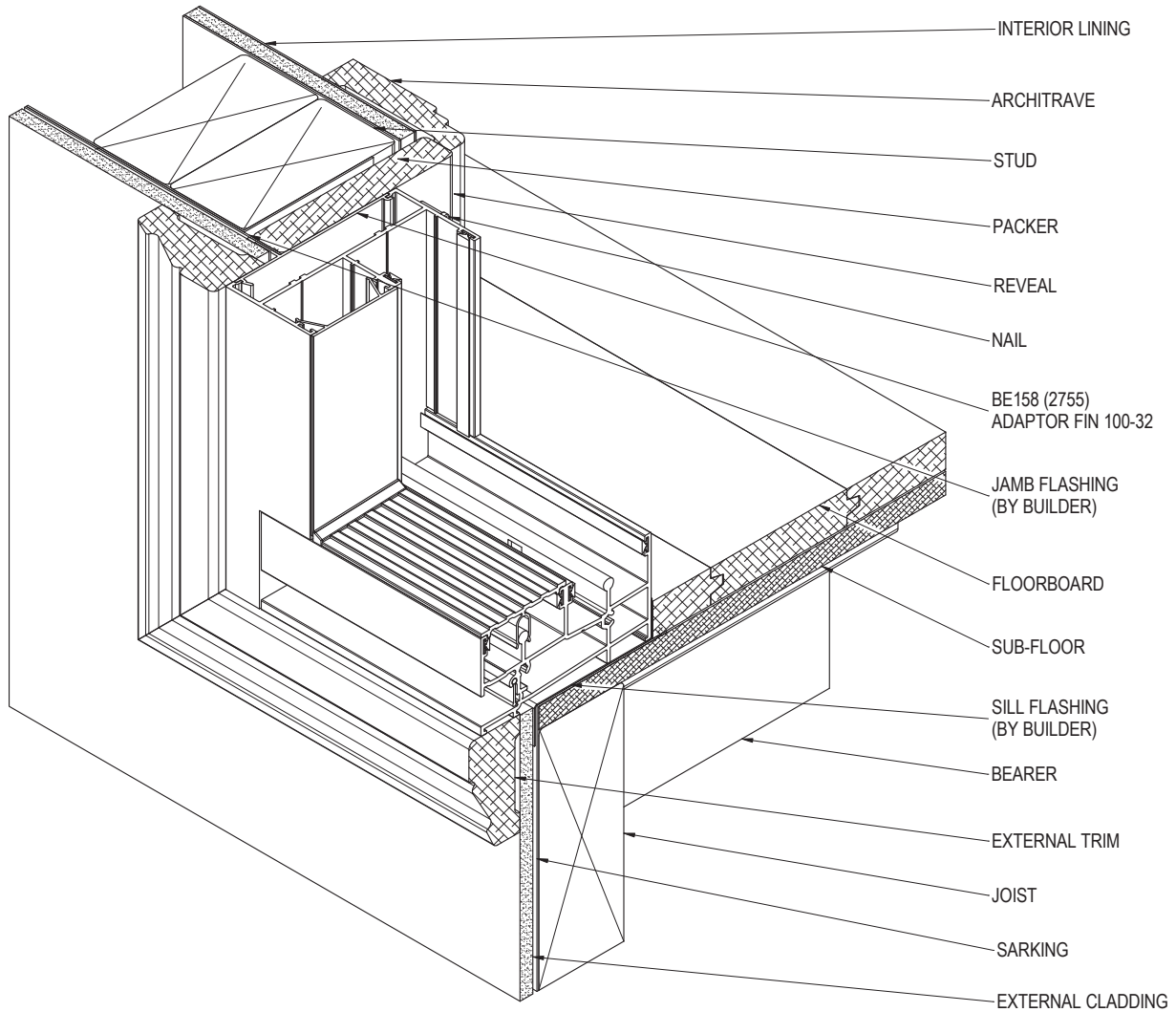
FIXINGS UP TO AND INCLUDING SITE CLASSIFICATION OF N6, C4 (3.0kPa) FIXINGS ARE TO BE AT 450mm CENTRE MAXIMUM. FOR SITUATIONS IN EXCESS OF THIS THE FIXINGS ARE TO BE AT 300mm CENTRES MAXIMUM. FIXING SIZE TO BE EQUIVALENT TO A  $\varnothing$  2.2mm STEEL NAIL MINIMUM.

PRODUCT NO: AIRLIE 900  
DRAWING NO: AIRL-CD-02-02  
DRAWN: DJH

DATE: 28/11/14  
ISSUE: B  
SCALE: 1 : 3



CLADDING CONSTRUCTION - SILL & JAMB DETAIL



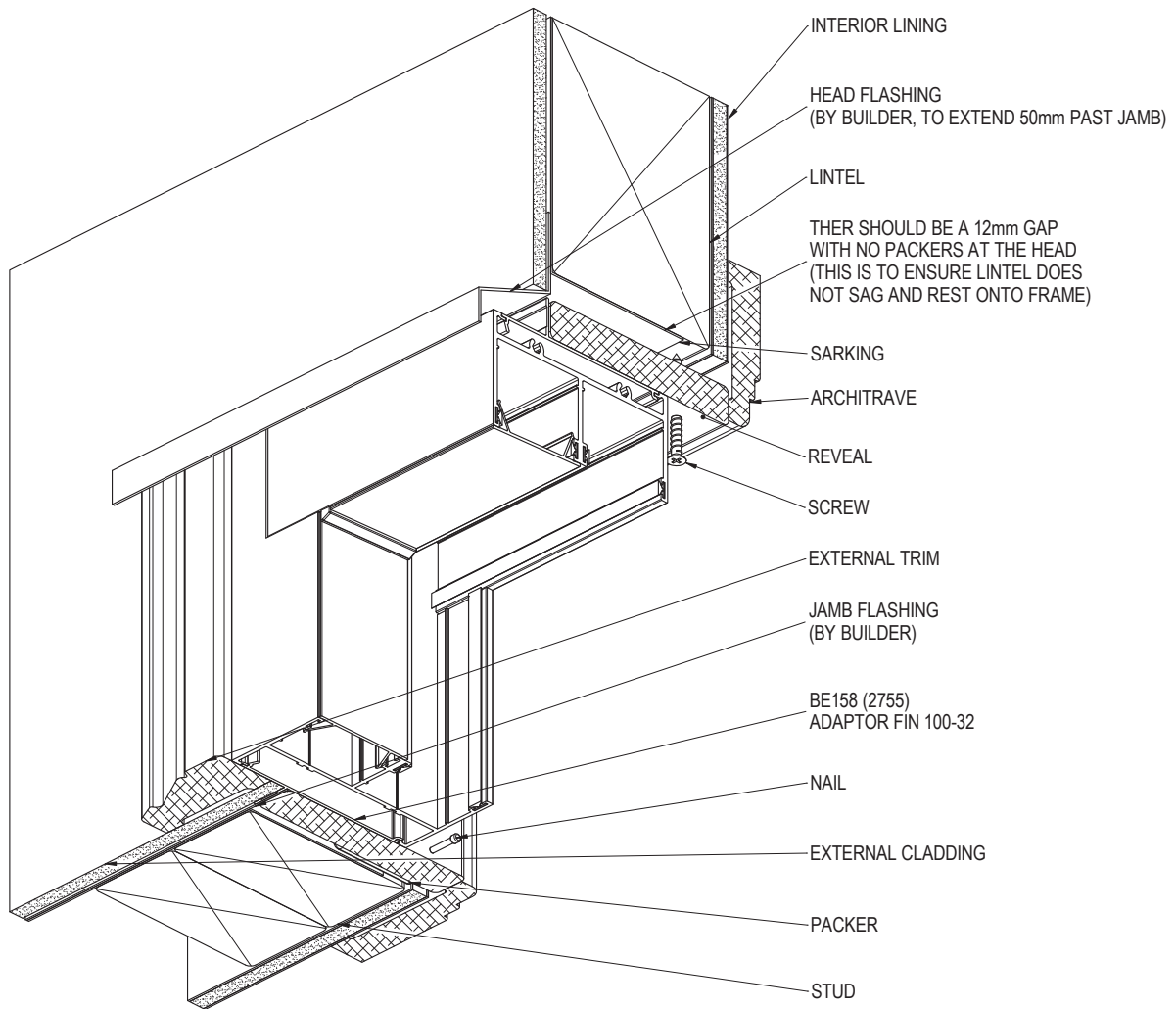
FIXINGS UP TO AND INCLUDING SITE CLASSIFICATION OF N6, C4 (3.0kPa) FIXINGS ARE TO BE AT 450mm CENTRE MAXIMUM. FOR SITUATIONS IN EXCESS OF THIS THE FIXINGS ARE TO BE AT 300mm CENTRES MAXIMUM. FIXING SIZE TO BE EQUIVALENT TO A  $\phi$  2.2mm STEEL NAIL MINIMUM.

PRODUCT NO: AIRLIE 900  
DRAWING NO: AIRL-CD-02-03  
DRAWN: DJH

DATE: 28/11/14  
ISSUE: B  
SCALE: 1 : 3



CLADDING CONSTRUCTION - HEAD & JAMB DETAIL



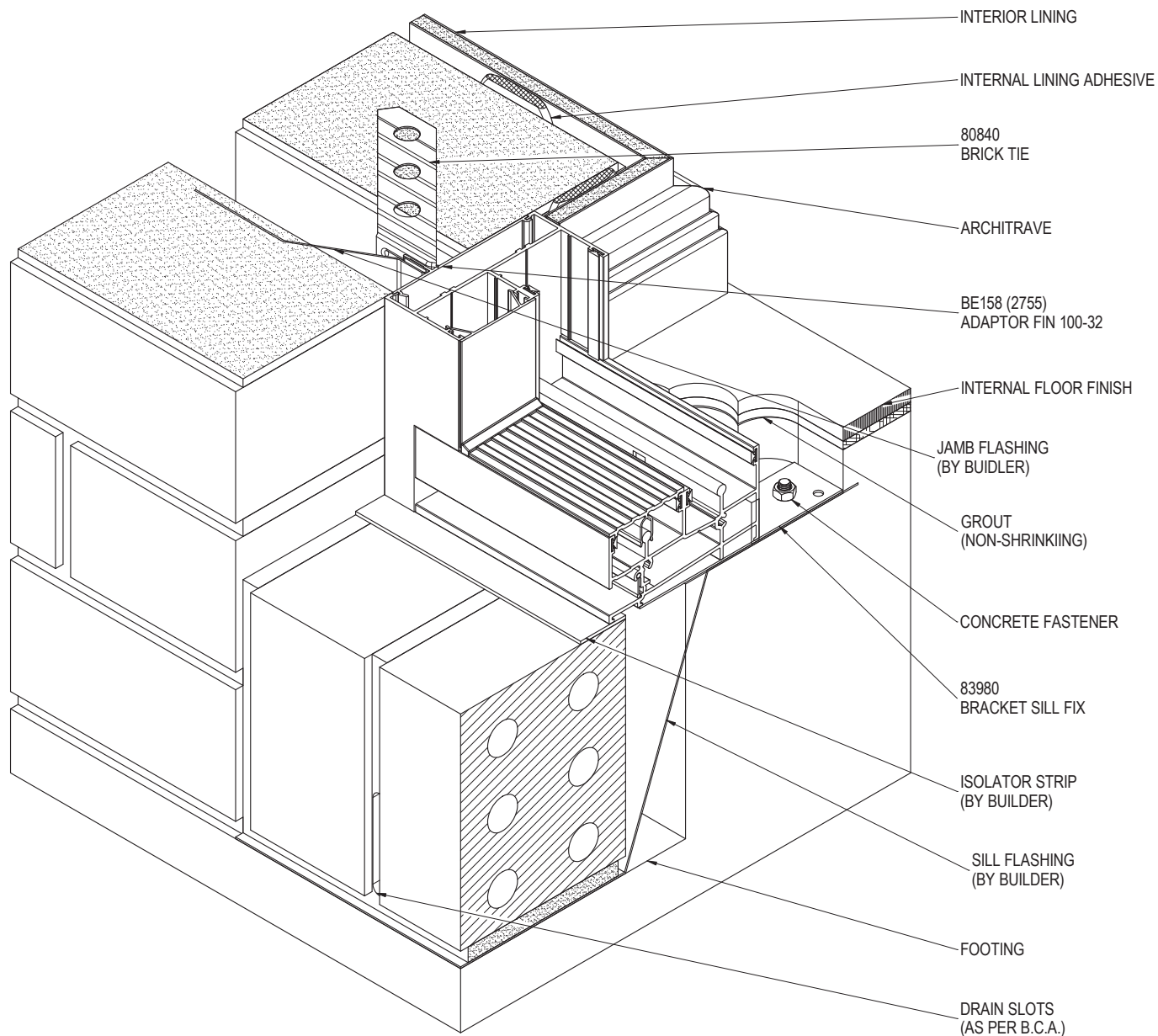
FIXINGS UP TO AND INCLUDING SITE CLASSIFICATION OF N6, C4 (3.0kPa) FIXINGS ARE TO BE AT 450mm CENTRE MAXIMUM. FOR SITUATIONS IN EXCESS OF THIS THE FIXINGS ARE TO BE AT 300mm CENTRES MAXIMUM. FIXING SIZE TO BE EQUIVALENT TO A  $\varnothing$  2.2mm STEEL NAIL MINIMUM.

PRODUCT NO: AIRLIE 900  
DRAWING NO: AIRL-CD-02-04  
DRAWN: DJH

DATE: 28/11/14  
ISSUE: B  
SCALE: 1 : 3



CAVITY BRICK CONSTRUCTION - SILL & JAMB DETAIL



FIXINGS UP TO AND INCLUDING SITE CLASSIFICATION OF N6, C4 (3.0kPa) FIXINGS ARE TO BE AT 450mm CENTRE MAXIMUM. FOR SITUATIONS IN EXCESS OF THIS THE FIXINGS ARE TO BE AT 300mm CENTRES MAXIMUM. BRICK TIES TO BE FITTED AT A MAXIMUM OF EVERY FOURTH COURSE.

PRODUCT NO: AIRLIE 900  
DRAWING NO: AIRL-CD-02-05  
DRAWN: DJH

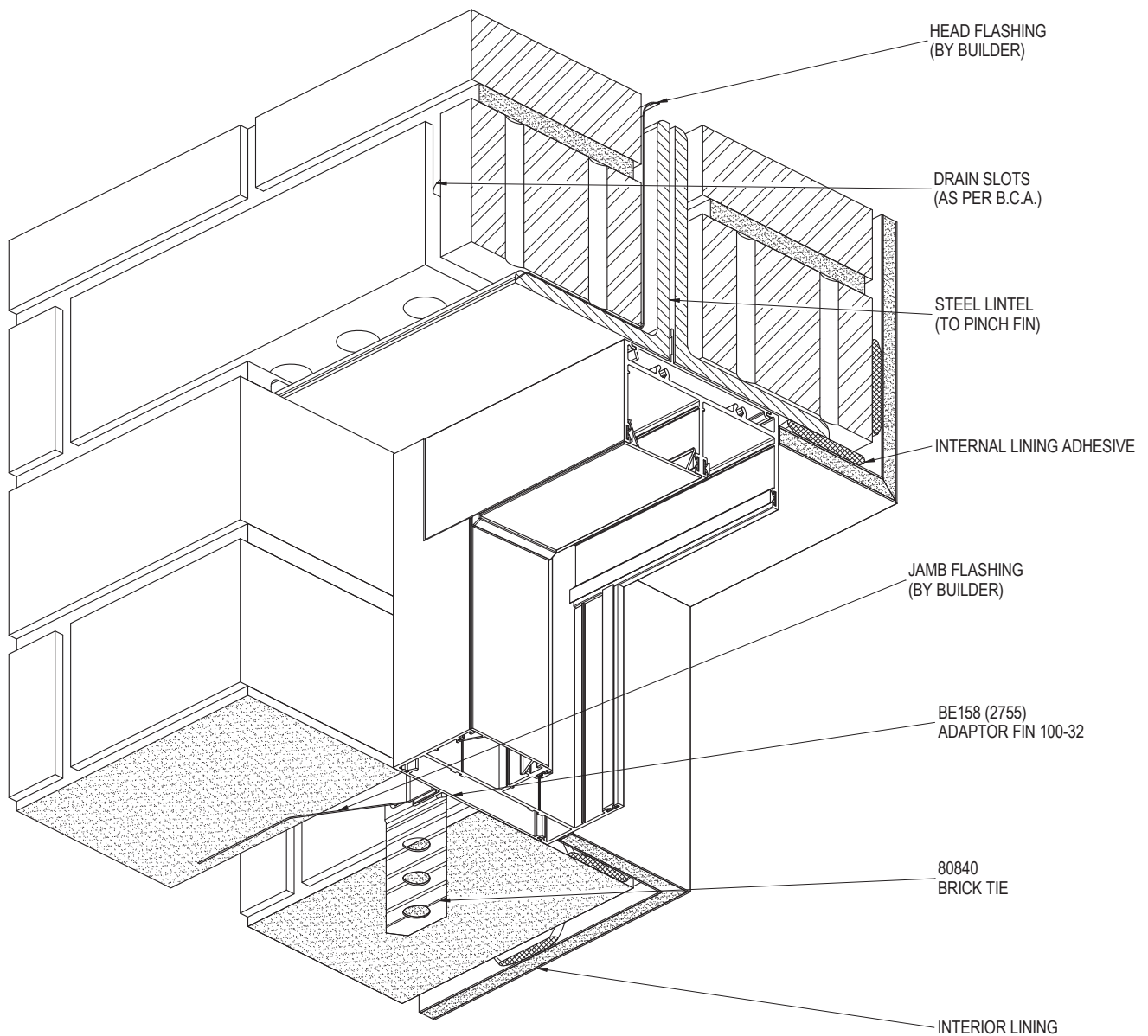
DATE: 28/11/14

ISSUE: B

SCALE: 1 : 3



CAVITY BRICK CONSTRUCTION - HEAD & JAMB DETAIL



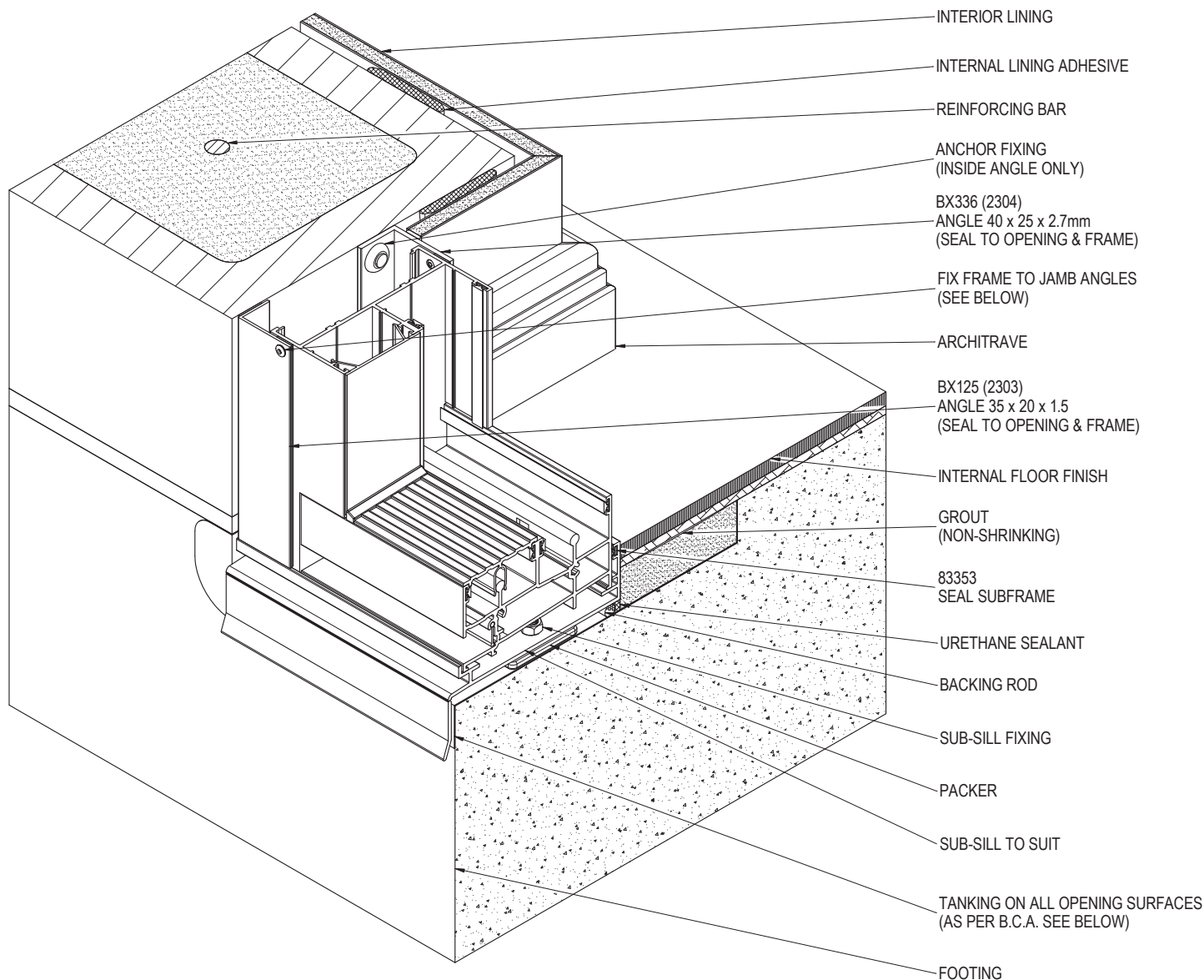
FIXINGS UP TO AND INCLUDING SITE CLASSIFICATION OF N6, C4 (3.0kPa) FIXINGS ARE TO BE AT 450mm CENTRE MAXIMUM. FOR SITUATIONS IN EXCESS OF THIS THE FIXINGS ARE TO BE AT 300mm CENTRES MAXIMUM. BRICK TIES TO BE FITTED AT A MAXIMUM OF EVERY FOURTH COURSE.

PRODUCT NO: AIRLIE 900  
DRAWING NO: AIRL-CD-02-06  
DRAWN: DJH

DATE: 28/11/14  
ISSUE: B  
SCALE: 1 : 3



**BLOCKWORK CONSTRUCTION - SILL & JAMB DETAIL**



SURFACE OF BLOCKS TO DOOR / WINDOW OPENING MUST BE TANKED WITH A SUITABLE SEALER TO PREVENT INGRESS OF MOISTURE. ENSURE THAT THE SURFACES TO BE SEALED ARE SOUND, CLEAN, DRY AND FREE FROM ANY SURFACE CONTAMINANTS.

FIXING TYPE, SIZE AND SPACING TO BE PROJECT SPECIFIC, REFER TO SPECIFICATION AND/OR ENGINEER

PRODUCT NO: AIRLIE 900  
DRAWING NO: AIRL-CD-02-07  
DRAWN: DJH

DATE: 28/11/14

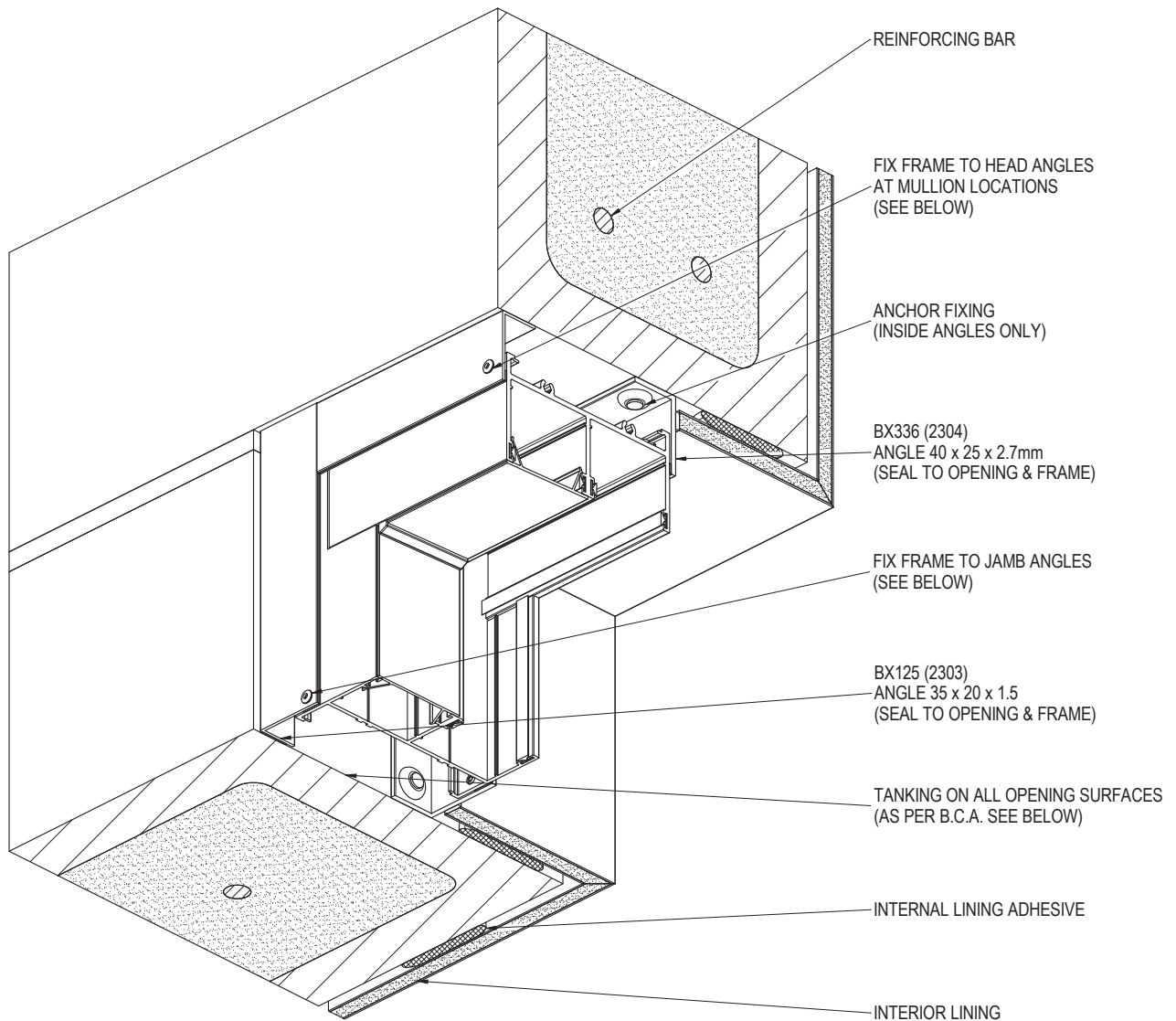
ISSUE: B

SCALE: 1 : 3





BLOCKWORK CONSTRUCTION - HEAD & JAMB DETAIL



SURFACE OF BLOCKS TO DOOR / WINDOW OPENING MUST BE TANKED WITH A SUITABLE SEALER TO PREVENT INGRESS OF MOISTURE. ENSURE THAT THE SURFACES TO BE SEALED ARE SOUND, CLEAN, DRY AND FREE FROM ANY SURFACE CONTAMINANTS.

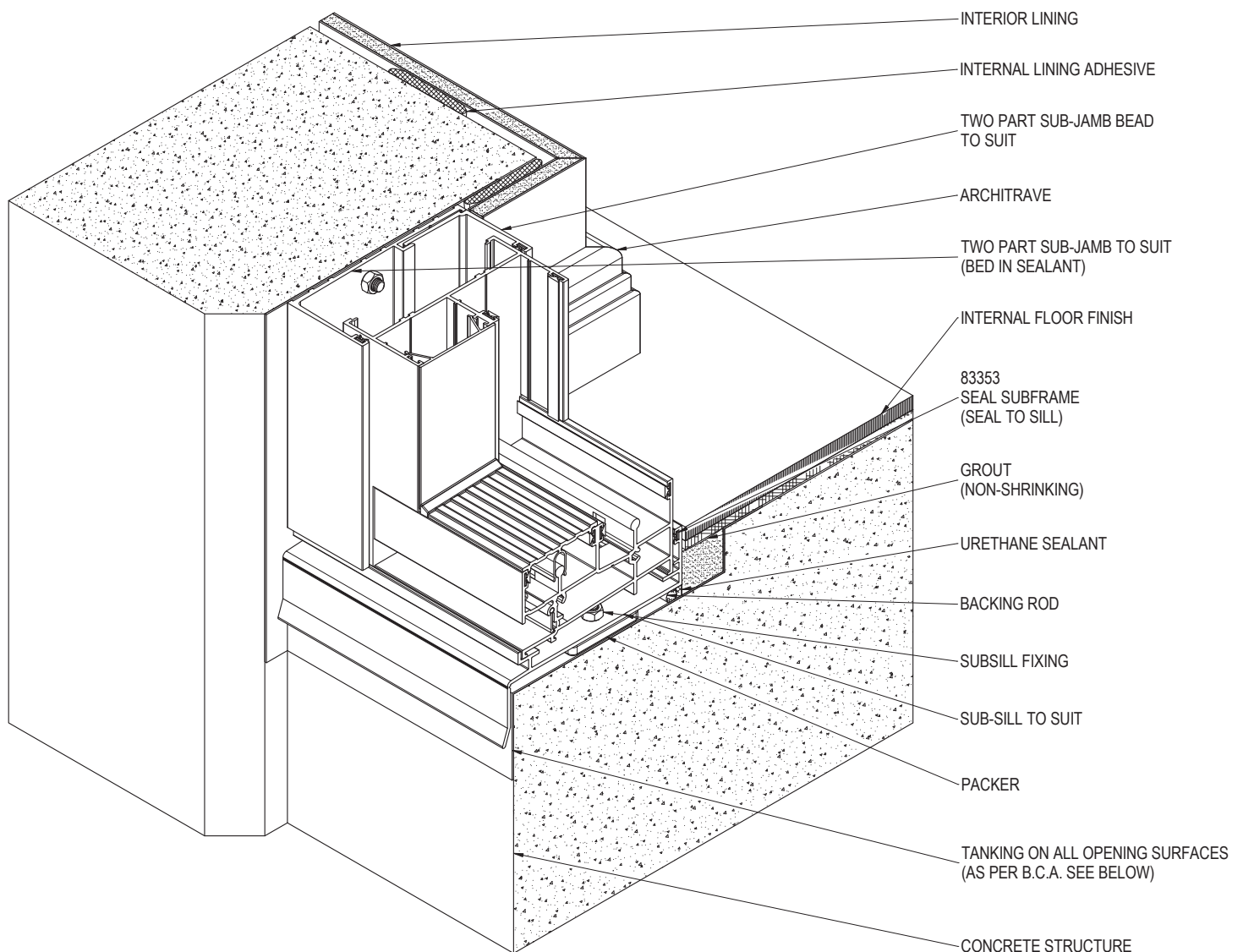
FIXING TYPE, SIZE AND SPACING TO BE PROJECT SPECIFIC, REFER TO SPECIFICATION AND/OR ENGINEER

PRODUCT NO: AIRLIE 900  
DRAWING NO: AIRL-CD-02-08  
DRAWN: DJH

DATE: 28/11/14  
ISSUE: B  
SCALE: 1 : 3



SUB-FRAMING CONSTRUCTION - SILL & JAMB DETAIL



SURFACE OF BLOCKS TO DOOR / WINDOW OPENING MUST BE TANKED WITH A SUITABLE SEALER TO PREVENT INGRESS OF MOISTURE. ENSURE THAT THE SURFACES TO BE SEALED ARE SOUND, CLEAN, DRY AND FREE FROM ANY SURFACE CONTAMINANTS.

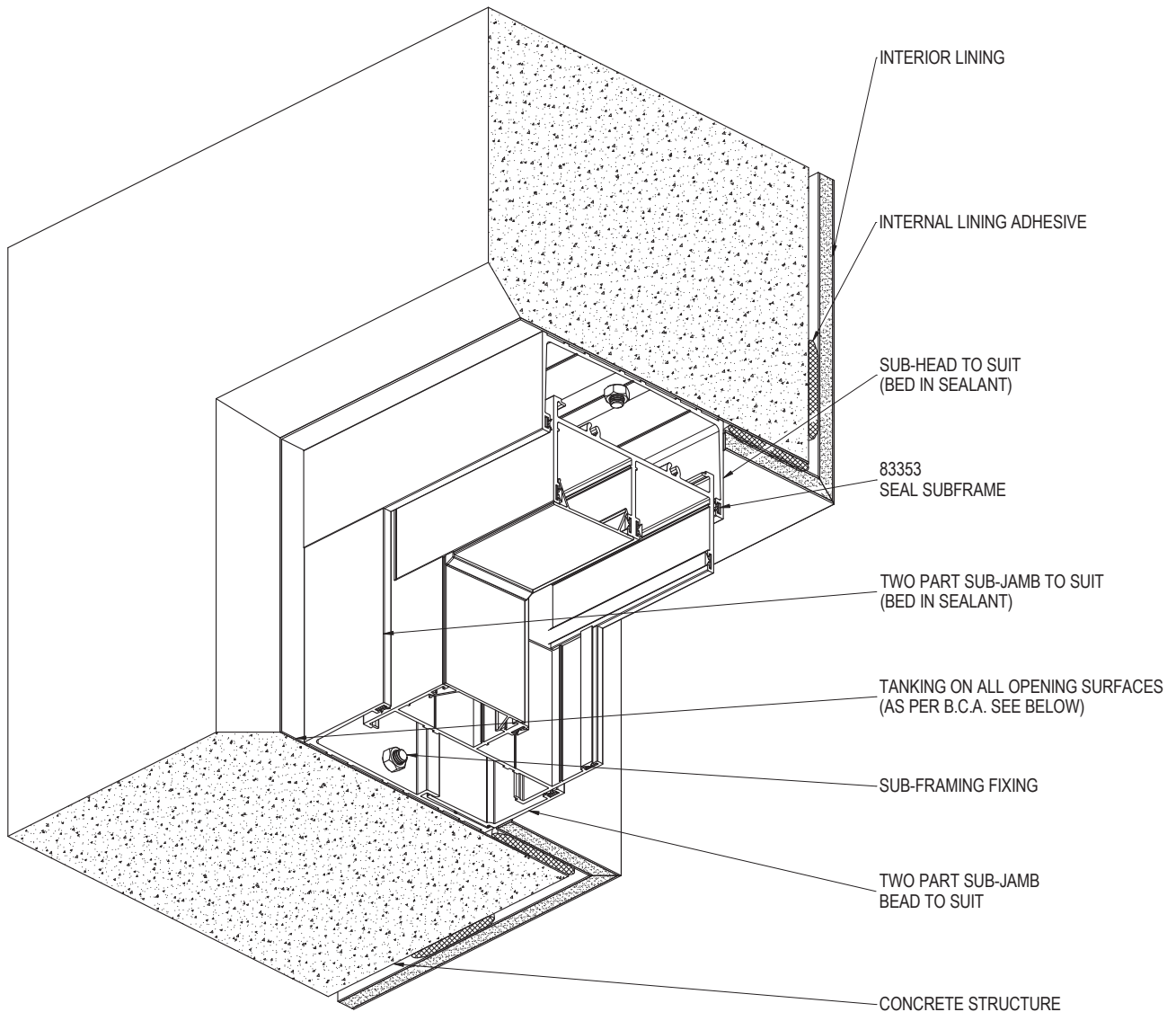
FIXING TYPE, SIZE AND SPACING TO BE PROJECT SPECIFIC, REFER TO SPECIFICATION AND/OR ENGINEER

PRODUCT NO: AIRLIE 900  
DRAWING NO: AIRL-CD-02-09  
DRAWN: DJH

DATE: 28/11/14  
ISSUE: B  
SCALE: 1 : 3



SUB-FRAMING CONSTRUCTION - HEAD & JAMB DETAIL



SURFACE OF BLOCKS TO DOOR / WINDOW OPENING MUST BE TANKED WITH A SUITABLE SEALER TO PREVENT INGRESS OF MOISTURE. ENSURE THAT THE SURFACES TO BE SEALED ARE SOUND, CLEAN, DRY AND FREE FROM ANY SURFACE CONTAMINANTS.

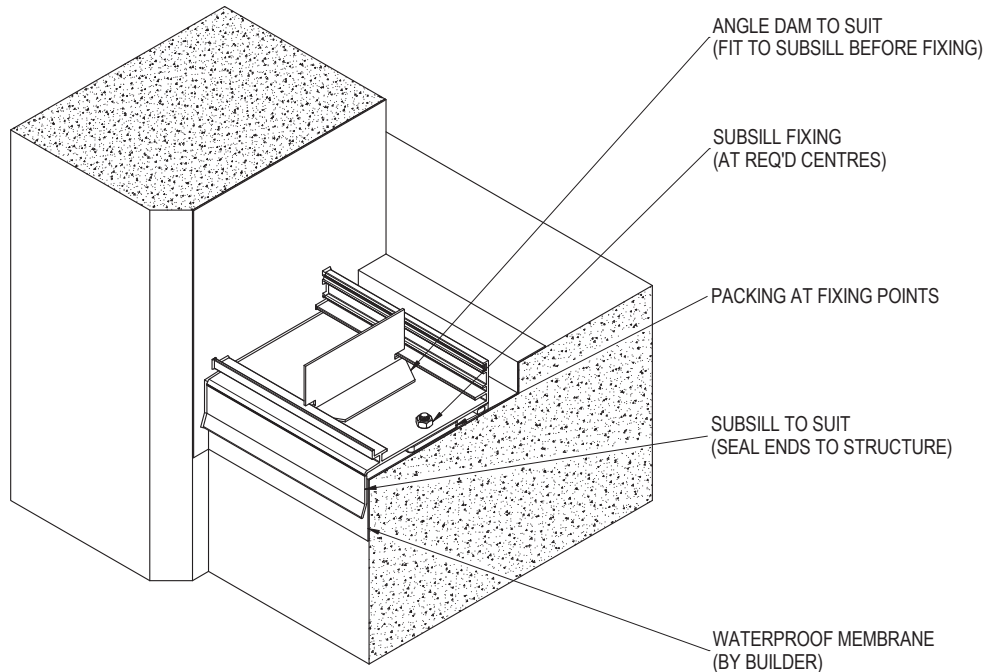
FIXING TYPE, SIZE AND SPACING TO BE PROJECT SPECIFIC, REFER TO SPECIFICATION AND/OR ENGINEER

PRODUCT NO: AIRLIE 900  
DRAWING NO: AIRL-CD-02-10  
DRAWN: DJH

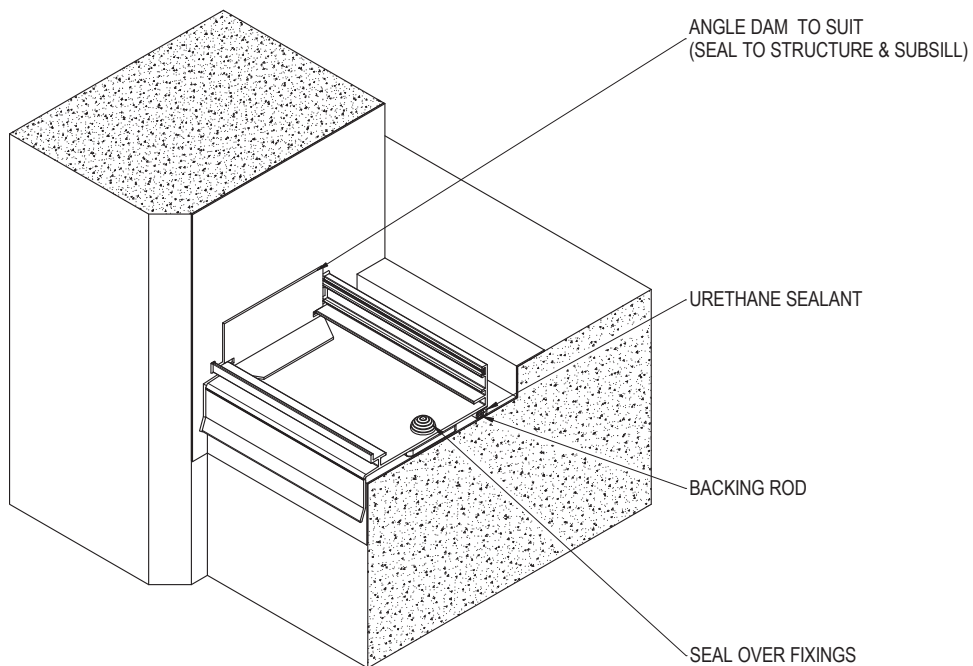
DATE: 28/11/14  
ISSUE: B  
SCALE: 1 : 3



### SUBSILL DAM ANGLE INSTALLATION



1. INSTALL SUBSILL INTO OPENING WITH DAM ANGLE FITTED, PACK SUBSILL LEVEL THEN FIX TO STRUCTURE. SEAL SUBSILL ENDS TO STRUCTURE.

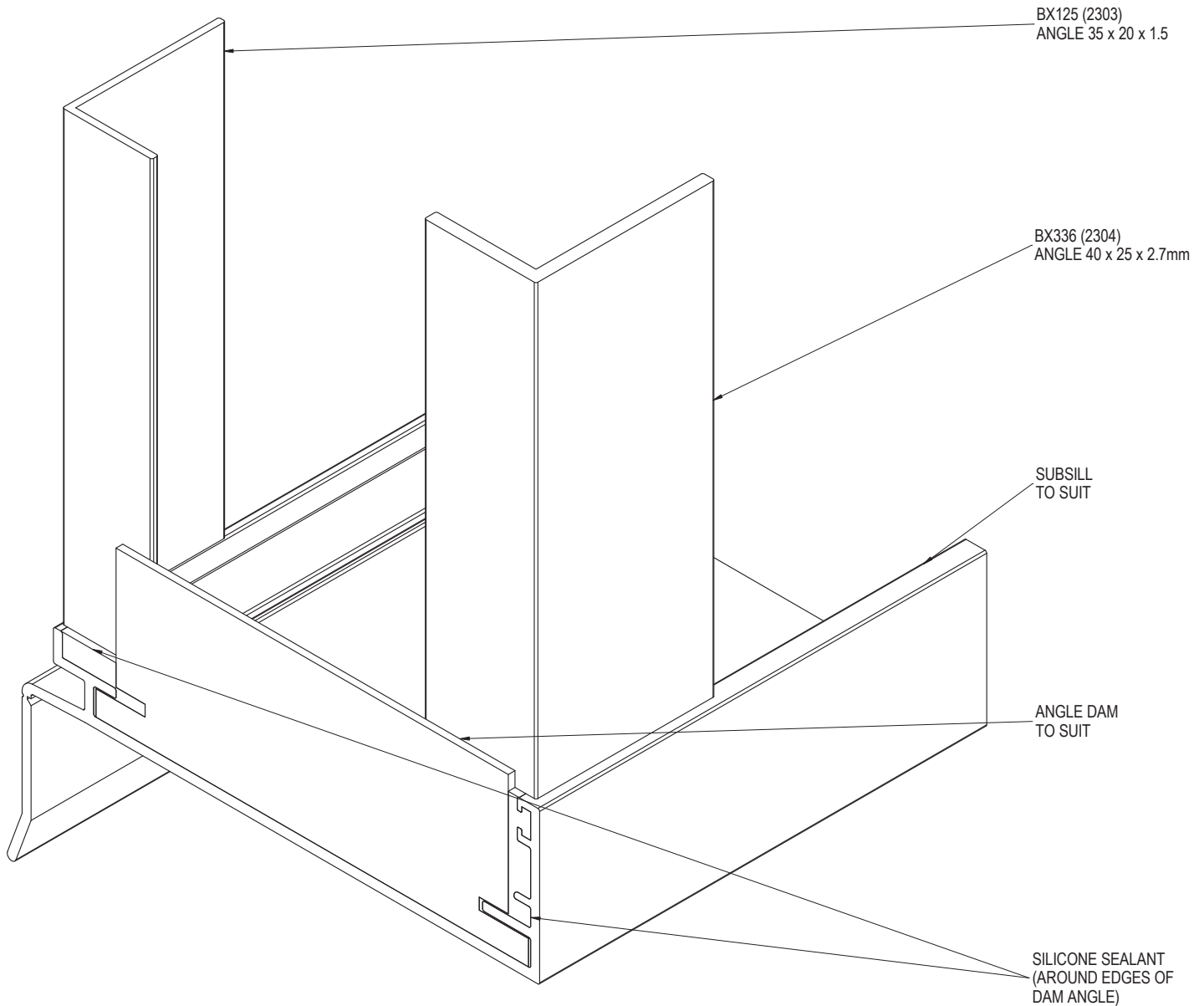


2: APPLY SEALANT TO VERTICAL FACE OF DAM ANGLE AND ALSO TO THE FLOOR OF THE SUBSILL, POSITION DAM ANGLE AGAINST STRUCTURE. SEAL ALL JOINTS BETWEEN ANGLE AND SUBSILL, SEAL ALL JOINTS BETWEEN ANGLE AND SUBSILL, SEAL OVER FIXINGS AND UNDER SUB SILL TO STRUCTURE.

PRODUCT NO: AIRLIE 900  
DRAWING NO: AIRL-CD-02-11  
DRAWN: DJH

DATE: 05/12/08  
ISSUE: A  
SCALE: 1 : 5

SUBSILL DAM ANGLE INSTALLATION WITH FIXING AND TRIM ANGLES



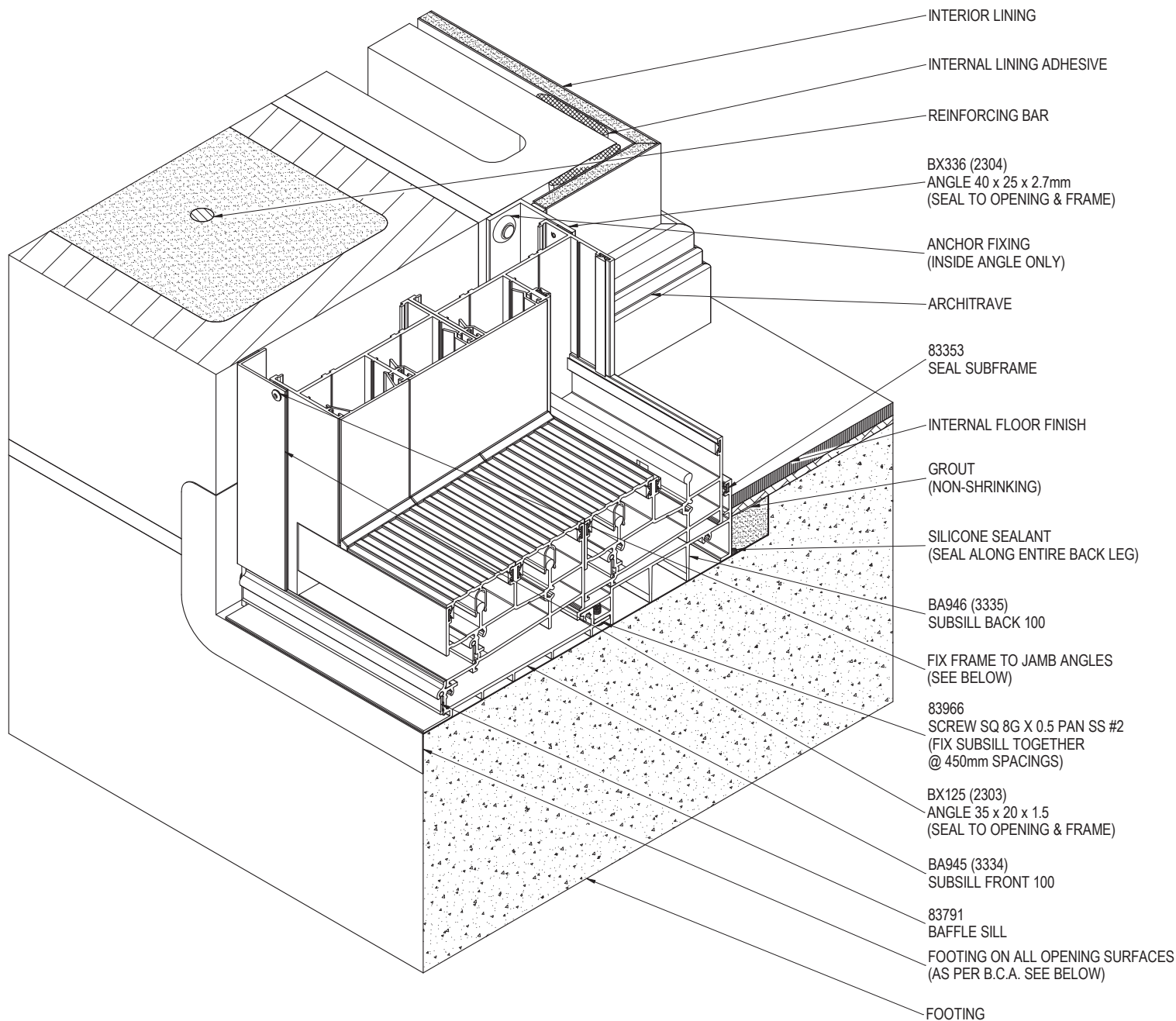
PRODUCT NO: AIRLIE 900  
DRAWING NO: AIRL-CD-02-12  
DRAWN: DJH

DATE: 05/12/08  
ISSUE: A  
SCALE: 1 : 1.5



**MULTI-FRAME INSTALLATION - BLOCKWORK CONSTRUCTION - SILL & JAMB DETAIL**

NOTE: 200mm FRAME SHOWN, DETAILS SIMILAR FOR 250mm FRAME,  
ALSO SIMILAR FOR 100mm & 150mm FRAMES WITH PLANT-ON SCREEN TRACK



SURFACE OF BLOCKS TO DOOR / WINDOW OPENING MUST BE TANKED WITH A SUITABLE SEALER TO PREVENT INGRESS OF MOISTURE. ENSURE THAT THE SURFACES TO BE SEALED ARE SOUND, CLEAN, DRY AND FREE FROM ANY SURFACE CONTAMINANTS.

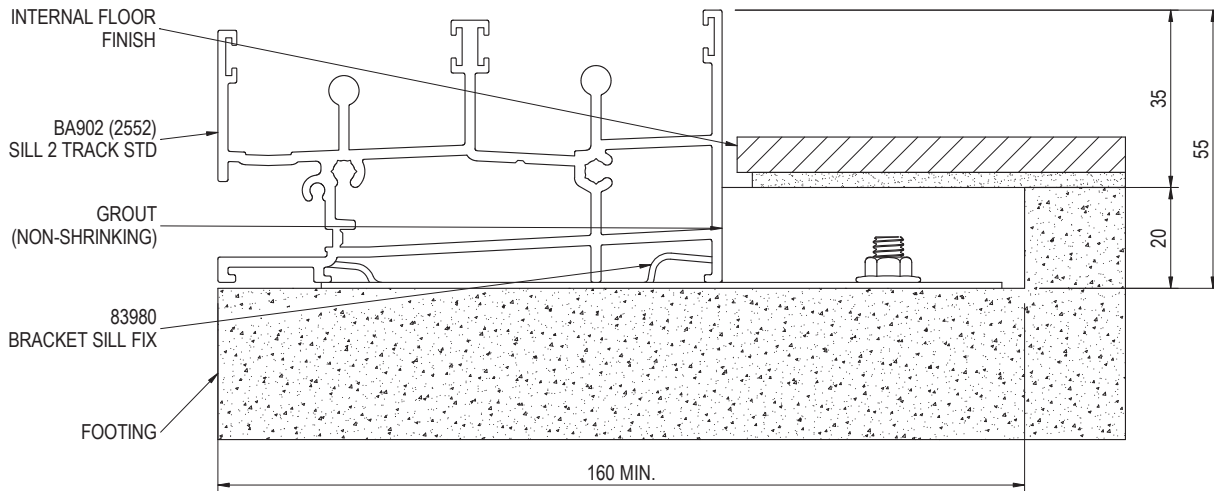
FIXING TYPE, SIZE AND SPACING TO BE PROJECT SPECIFIC, REFER TO SPECIFICATION AND/OR ENGINEER

PRODUCT NO: AIRLIE 900  
DRAWING NO: AIRL-CD-02-13  
DRAWN: DJH

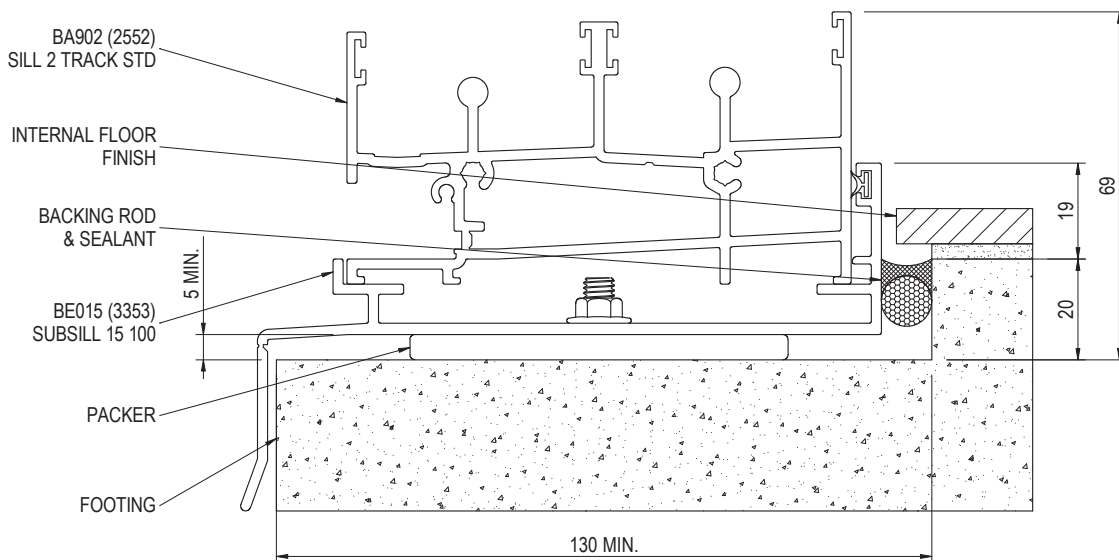
DATE: 28/11/14  
ISSUE: B  
SCALE: 1 : 3



CONCRETE SLAB REBATE DETAILS - 100mm FRAME ON SLAB



CONCRETE SLAB REBATE DETAILS - 100mm FRAME IN SUBSILL

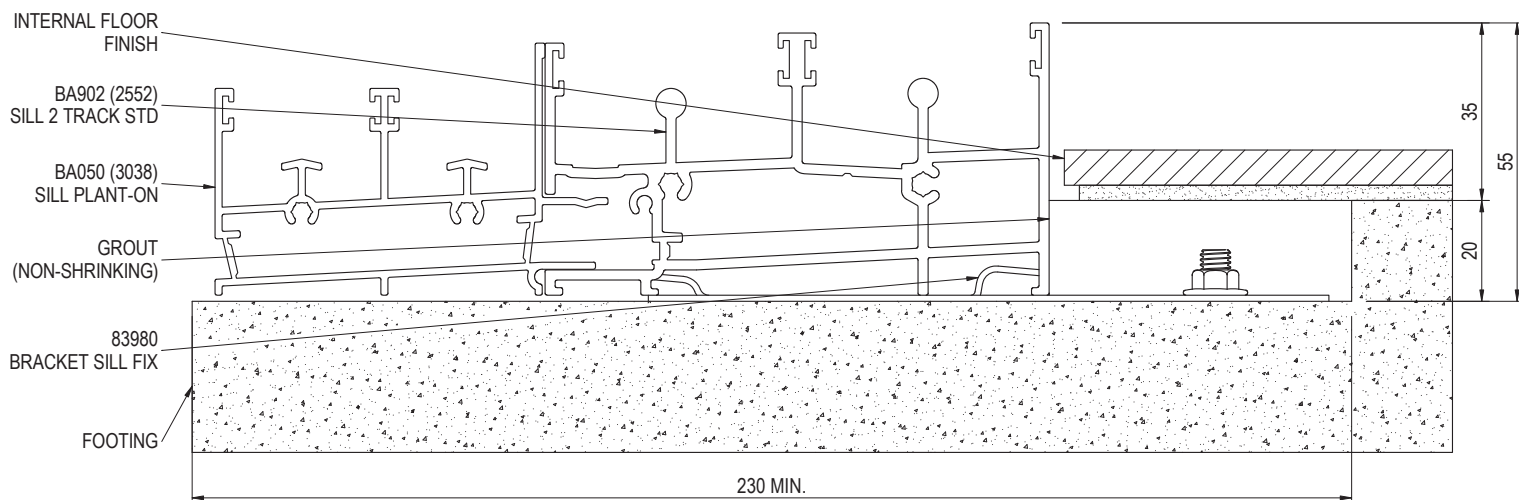


PRODUCT NO: AIRLIE 900  
DRAWING NO: AIRL-CD-02-14  
DRAWN: DJH

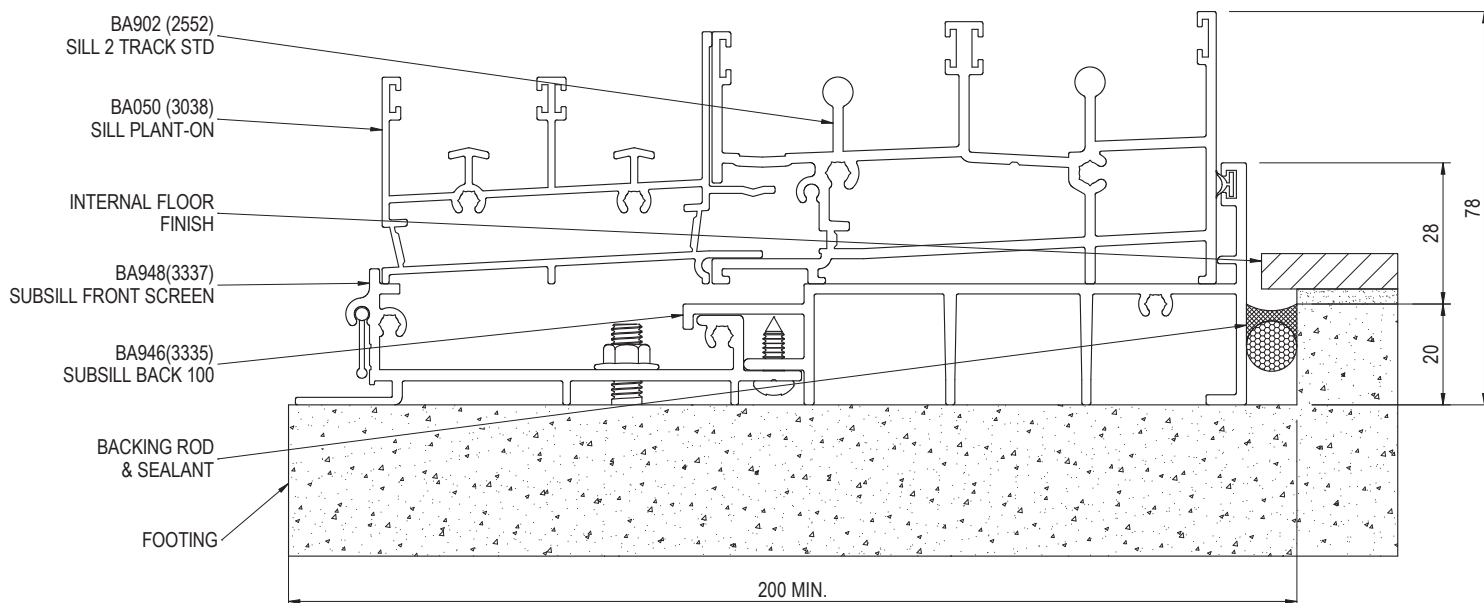
DATE: 07/03/11  
ISSUE: A  
SCALE: 1 : 1.5



**CONCRETE SLAB REBATE DETAILS - 100mm FRAME WITH PLANT-ON TRACK ON SLAB**



**CONCRETE SLAB REBATE DETAILS - 100mm FRAME WITH PLANT-ON TRACK IN SUBSILL**



PRODUCT NO: AIRLIE 900  
DRAWING NO: AIRL-CD-02-15  
DRAWN: DJH

DATE: 07/03/11

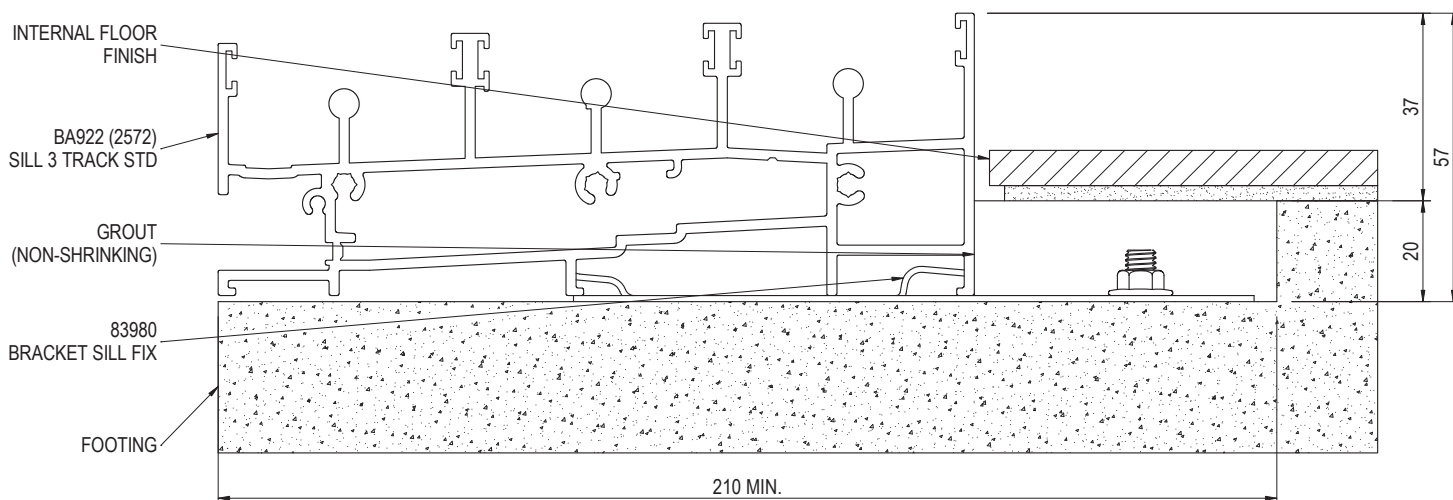
ISSUE: A

SCALE: 1 : 1.5

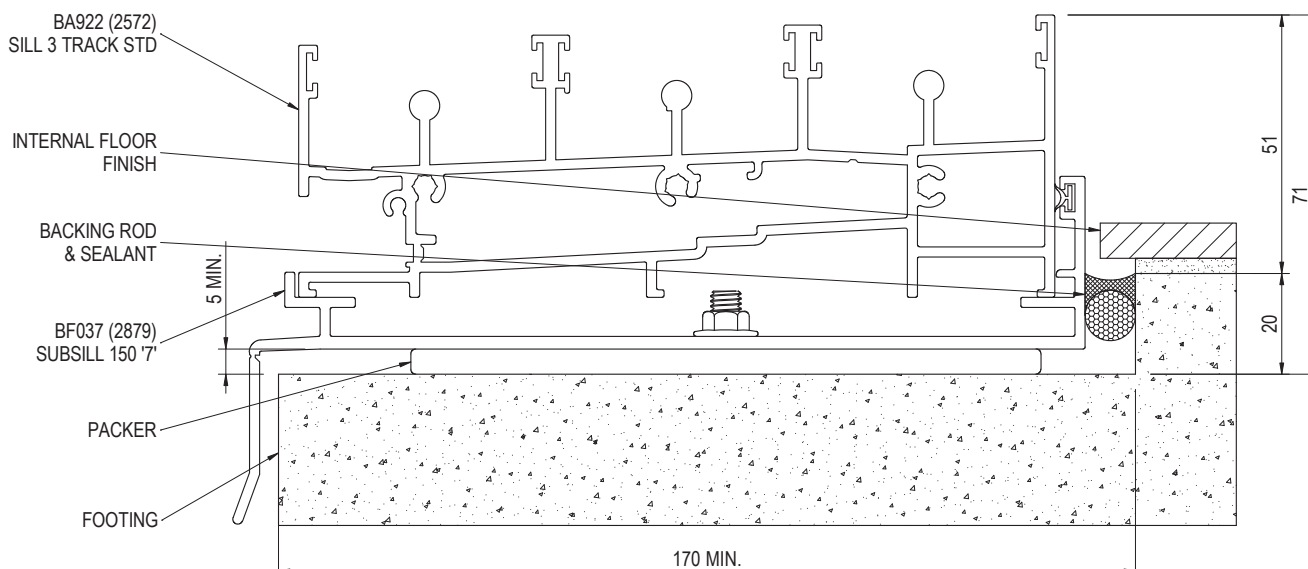




CONCRETE SLAB REBATE DETAILS - 150mm FRAME ON SLAB



CONCRETE SLAB REBATE DETAILS - 150mm FRAME IN SUBSILL

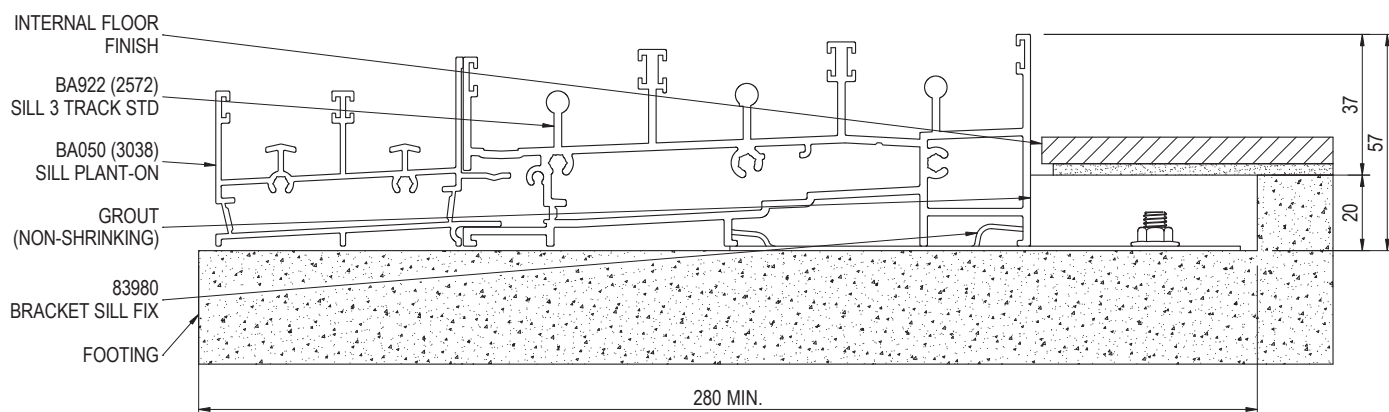


PRODUCT NO: AIRLIE 900  
DRAWING NO: AIRL-CD-02-16  
DRAWN: DJH

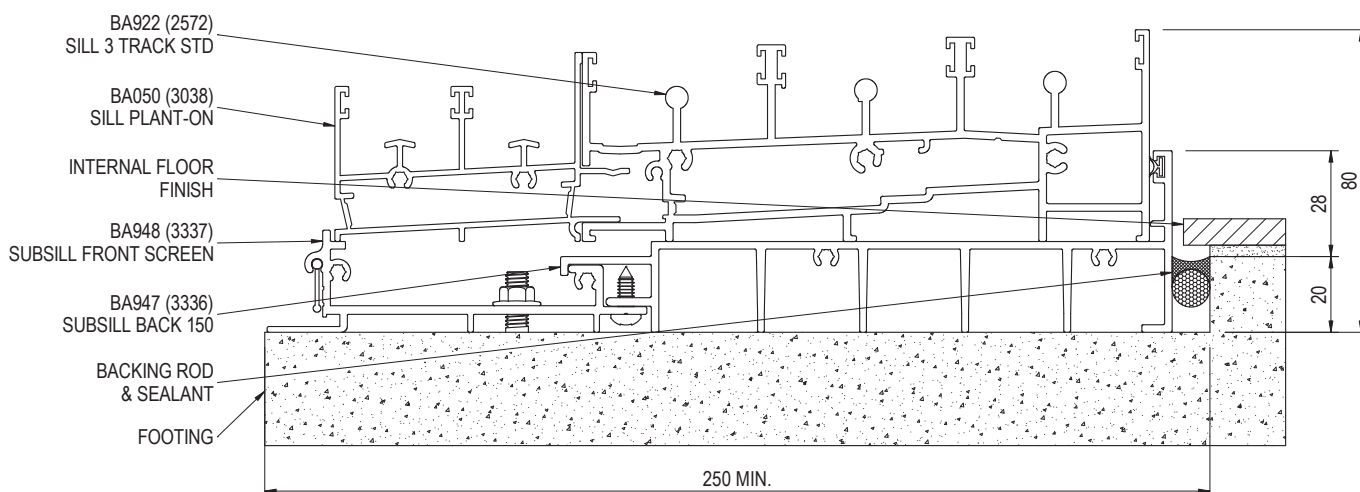
DATE: 07/03/11  
ISSUE: A  
SCALE: 1 : 1.5



**CONCRETE SLAB REBATE DETAILS - 150mm FRAME WITH PLANT-ON TRACK ON SLAB**



**CONCRETE SLAB REBATE DETAILS - 150mm FRAME WITH PLANT-ON TRACK IN SUBSILL**



PRODUCT NO: AIRLIE 900  
DRAWING NO: AIRL-CD-02-17  
DRAWN: DJH

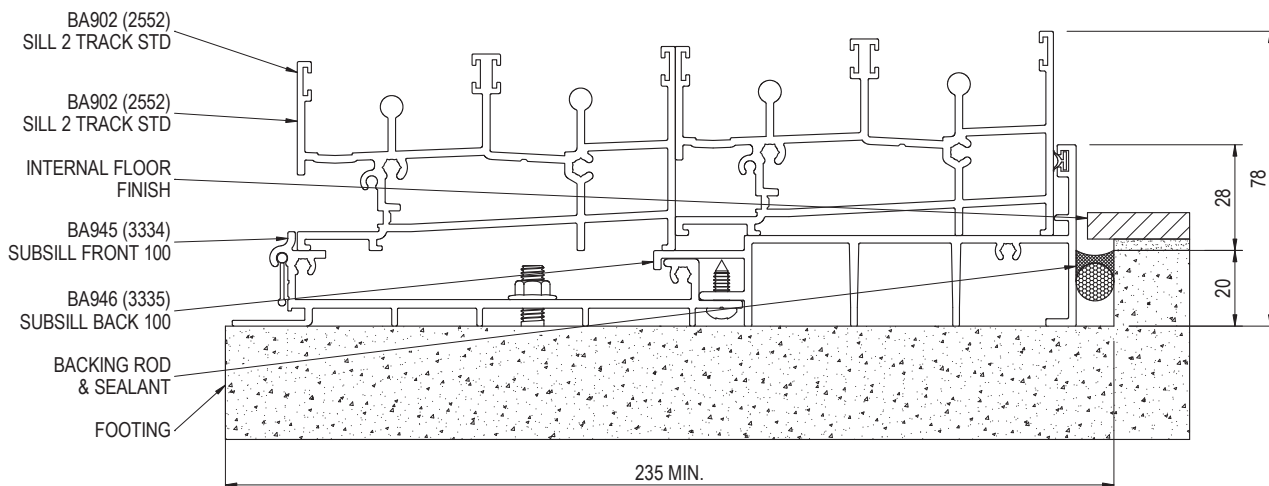
DATE: 07/03/11

ISSUE: A

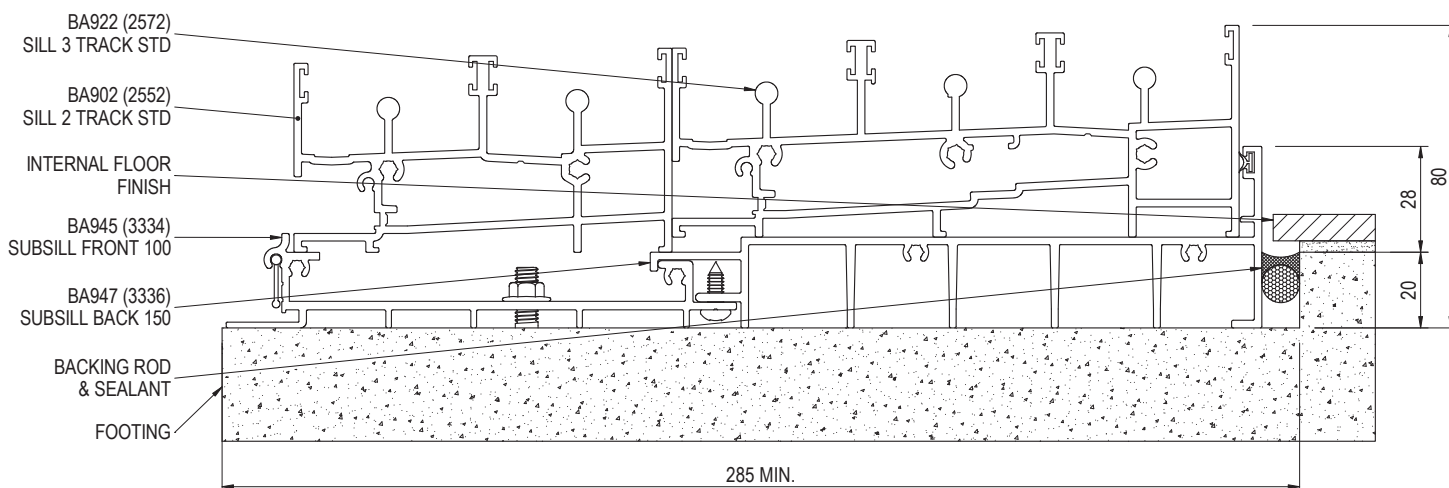
SCALE: 1 : 2



CONCRETE SLAB REBATE DETAILS - 200mm FRAME IN SUBSILL



CONCRETE SLAB REBATE DETAILS - 250mm FRAME IN SUBSILL



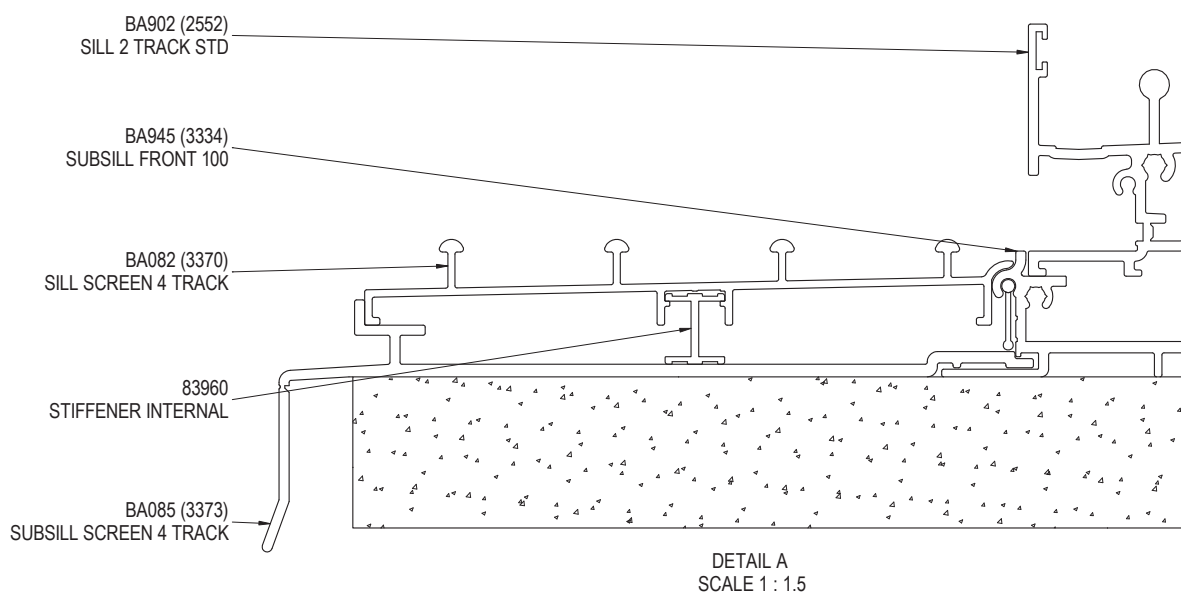
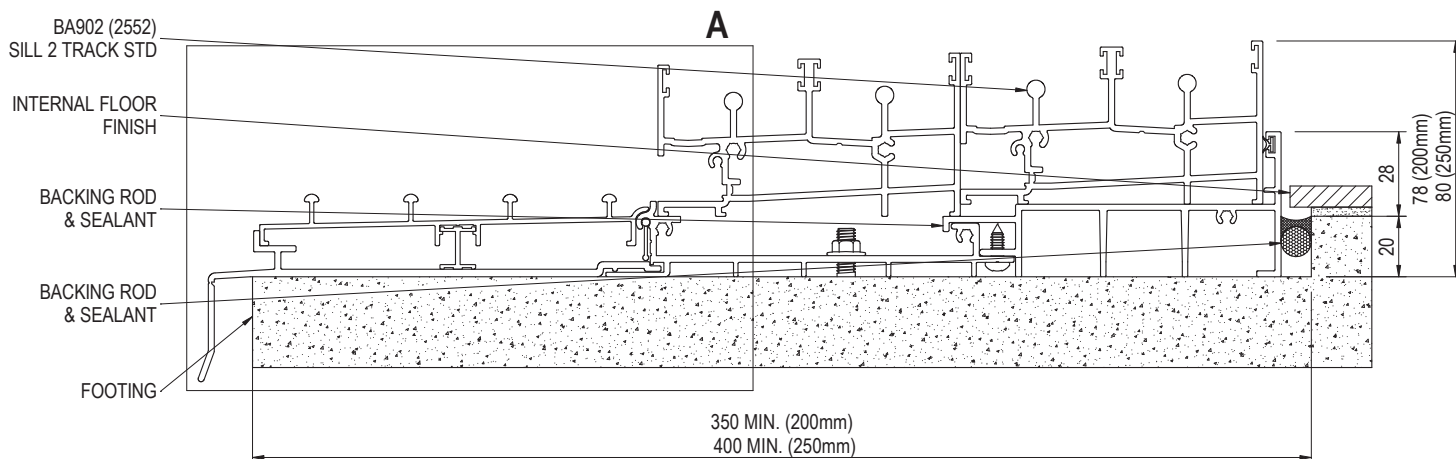
PRODUCT NO: AIRLIE 900  
DRAWING NO: AIRL-CD-02-18  
DRAWN: DJH

DATE: 07/03/11  
ISSUE: A  
SCALE: 1 : 2



## CONCRETE SLAB REBATE DETAILS - 200mm FRAME WITH PLANT-ON TRACK IN SUBSILL

NOTE: 200mm FRAME SHOWN, DETAILS SIMILAR FOR 250mm FRAME, DIFFERENCES NOTED.



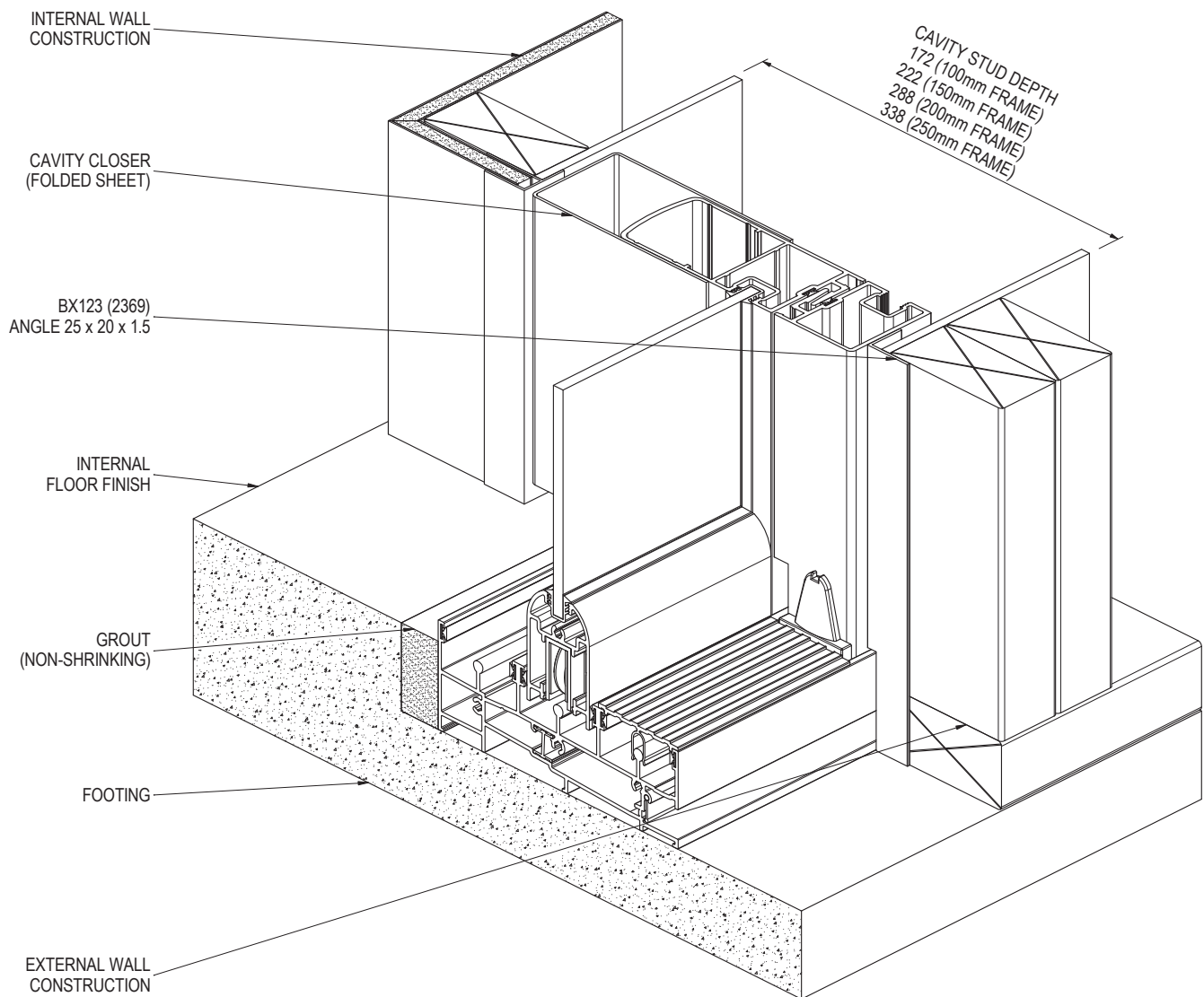
PRODUCT NO: AIRLIE 900  
DRAWING NO: AIRL-CD-02-19  
DRAWN: DJH

DATE: 09/03/11  
ISSUE: A  
SCALE: 1 : 2.5



## TYPICAL CAVITY SLIDING DOOR - CAVITY DETAIL

NOTE: 150mm FRAME SHOWN, DETAILS SIMILAR FOR 100mm, 200mm & 250mm FRAME, DIFFERENCES NOTED.

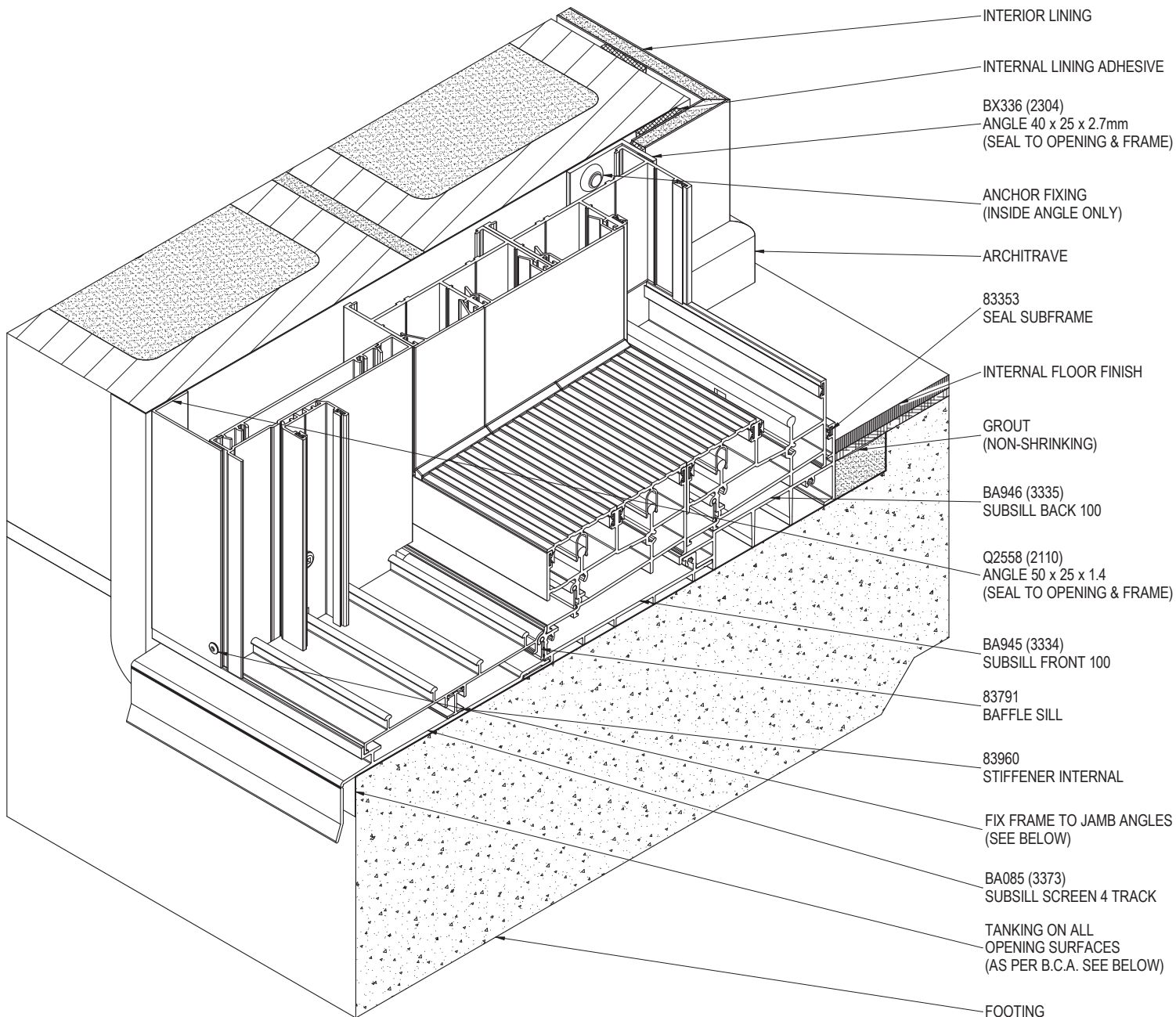


PRODUCT NO: AIRLIE 900  
DRAWING NO: AIRL-CD-02-20  
DRAWN: DJH

DATE: 05/12/16  
ISSUE: B  
SCALE: 1 : 3

**TYPICAL DOOR WITH 4 TRACK SCREEN FRAME - SILL & JAMB DETAIL**

NOTE: 200mm FRAME SHOWN, DETAILS SIMILAR FOR 250mm FRAME.



SURFACE OF BLOCKS TO DOOR / WINDOW OPENING MUST BE TANKED WITH A SUITABLE SEALER TO PREVENT INGRESS OF MOISTURE. ENSURE THAT THE SURFACES TO BE SEALED ARE SOUND, CLEAN, DRY AND FREE FROM ANY SURFACE CONTAMINANTS.

FIXING TYPE, SIZE AND SPACING TO BE PROJECT SPECIFIC, REFER TO SPECIFICATION AND/OR ENGINEER

PRODUCT NO: AIRLIE 900

DATE: 28/11/14

DRAWING NO: AIRL-CD-02-21

ISSUE: B

DRAWN: DJH

SCALE: 1 : 3

