

# Commercial

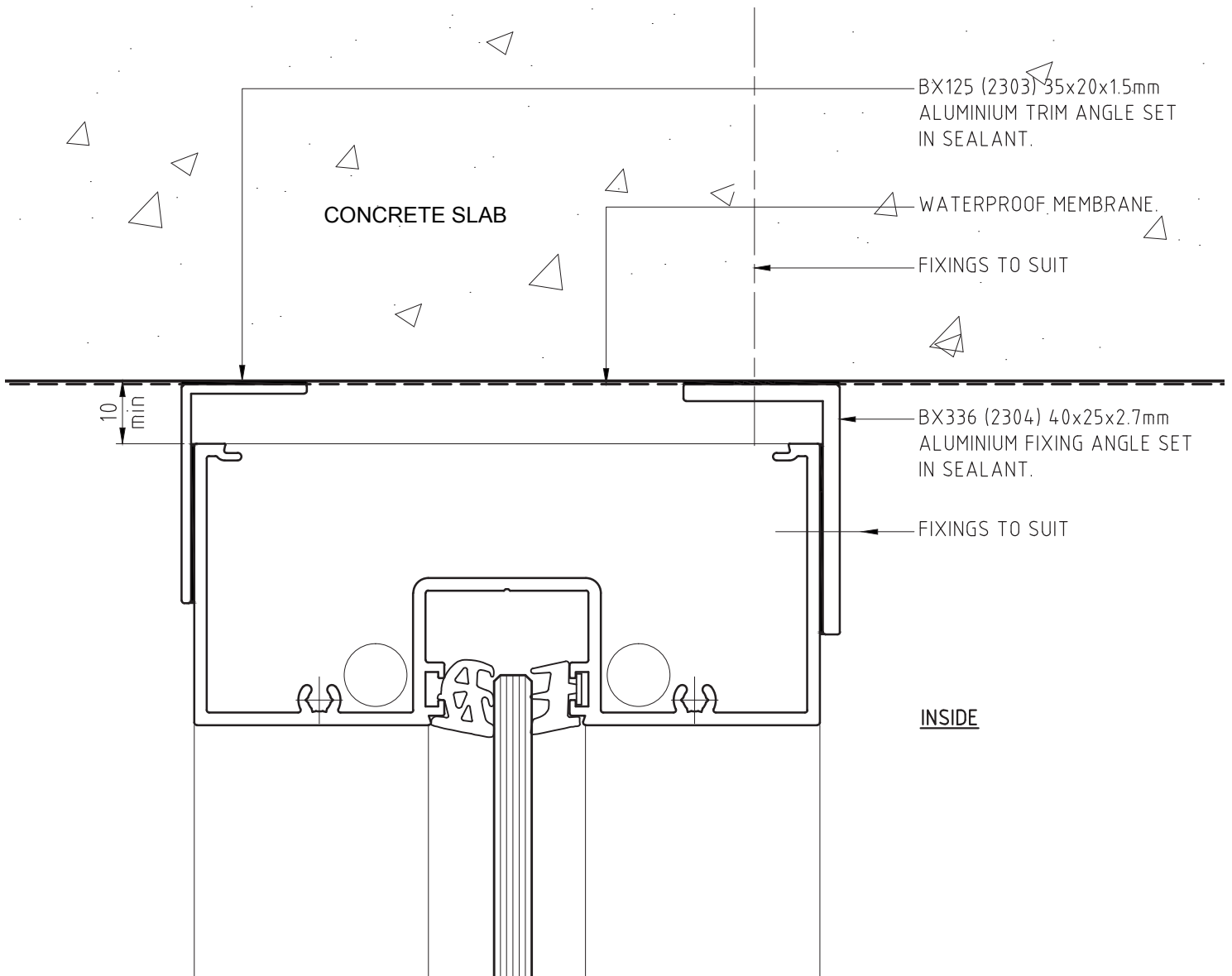
Centre Pocket Frame (100mm)

Hinged Door (100mm-CP)

Pivot Door (100mm-CP)

## Installation Details

HEAD DETAIL - CONCRETE SLAB



FIXINGS: TYPES & CENTRES TO BE PROJECT SPECIFIC. REFER TO  
SPECIFICATION &/OR COMPANY ENGINEER.

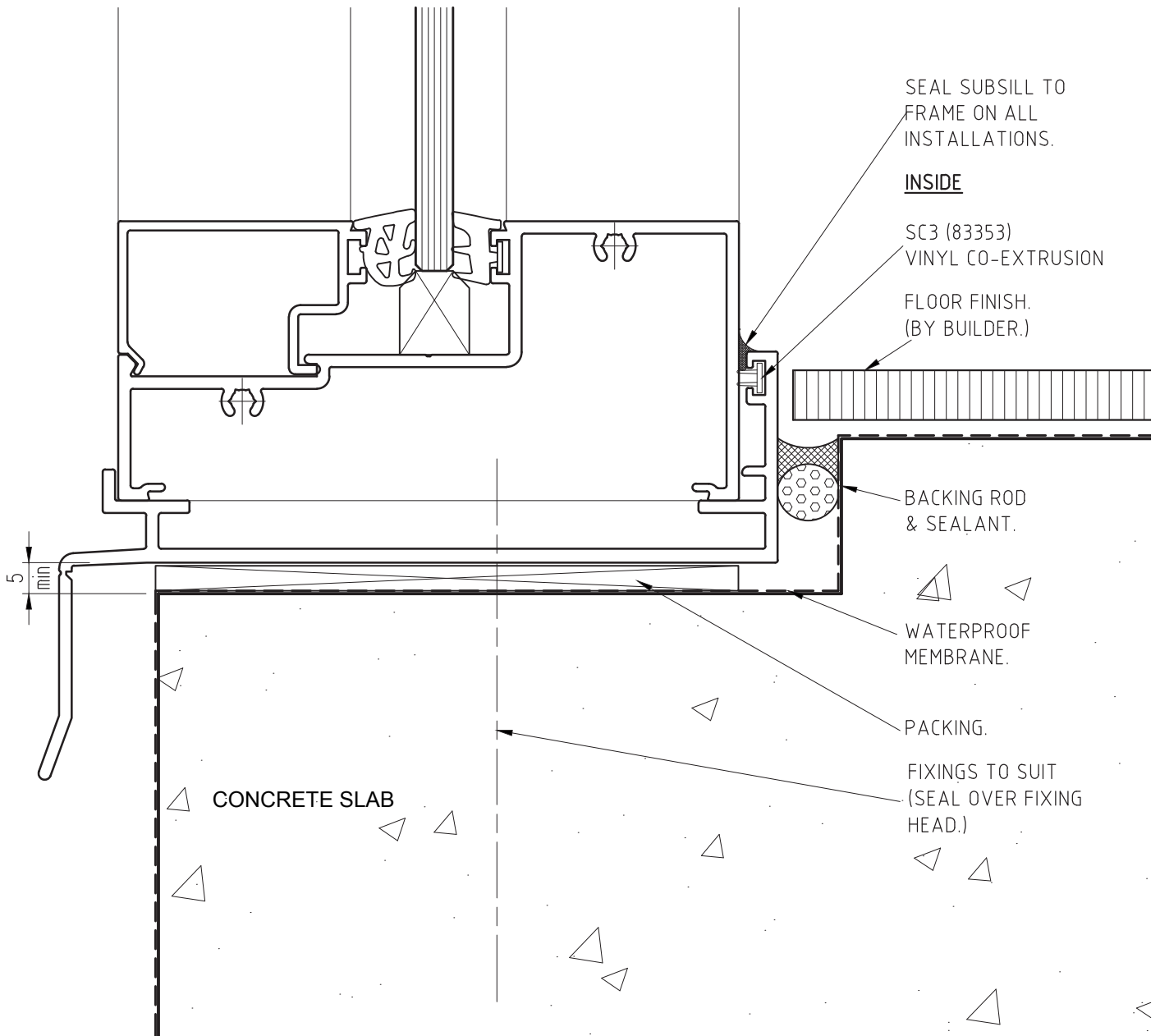
PRODUCT NO: COM Centre Pocket Frame (100mm) DATE: 14/02/13

DRAWING NO: EURE-05-01 ISSUE: B


DRAWN: DJH SCALE: 1:1

Bradnam's Windows and Doors Pty Ltd ABN 78 010 409 819 © 2013 All rights reserved.

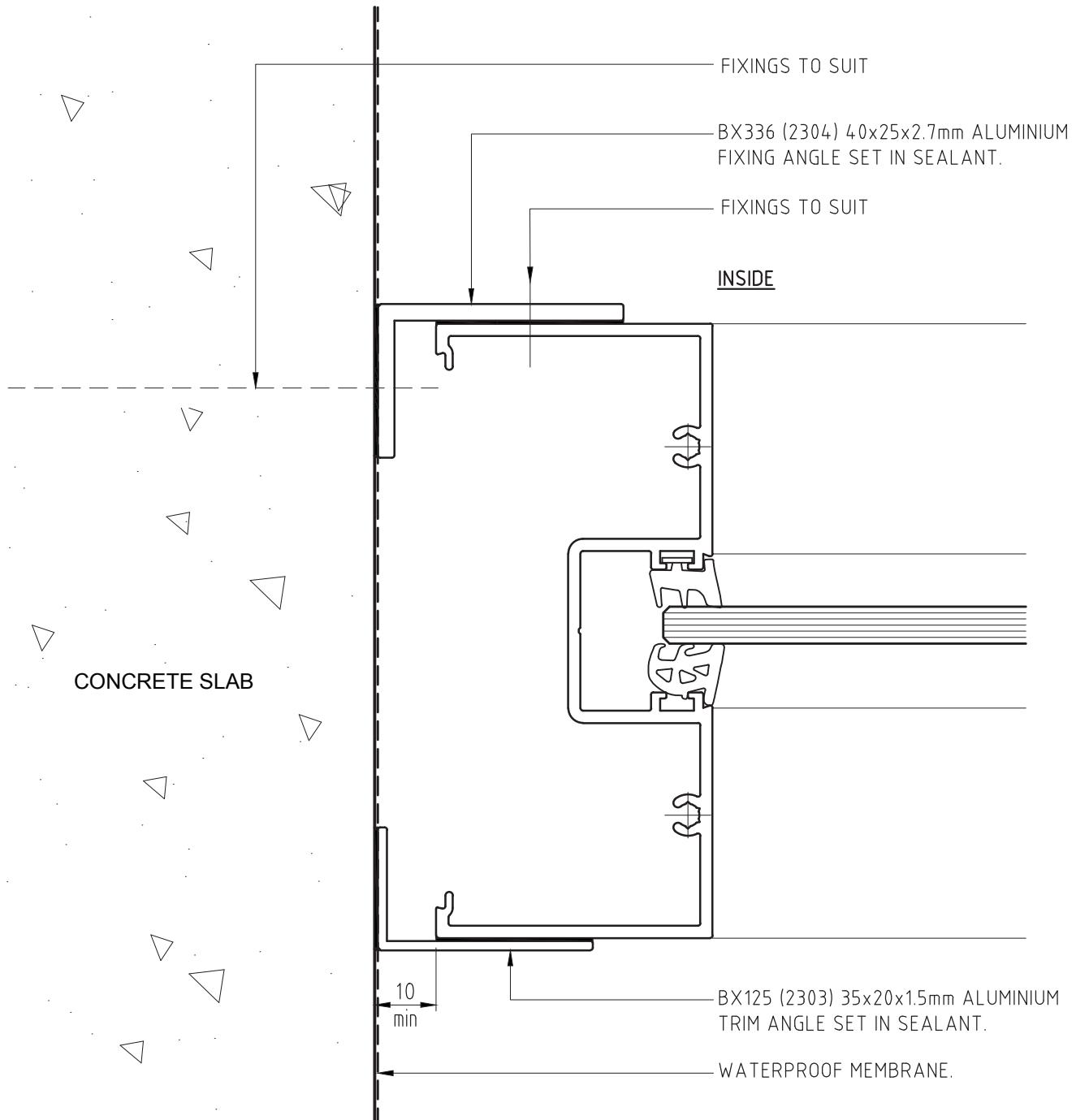
SILL DETAIL - CONCRETE SLAB




FIXINGS: TYPES & CENTRES TO BE PROJECT SPECIFIC.  
REFER TO SPECIFICATION &/OR COMPANY ENGINEER.

PRODUCT NO: COM Centre Pocket Frame (100mm)	DATE: 14/02/13	
DRAWING NO: EURE-05-02	ISSUE: C	
DRAWN: DJH	SCALE: 1:1	
Bradnam's Windows and Doors Pty Ltd ABN 78 010 409 819 © 2013 All rights reserved.		

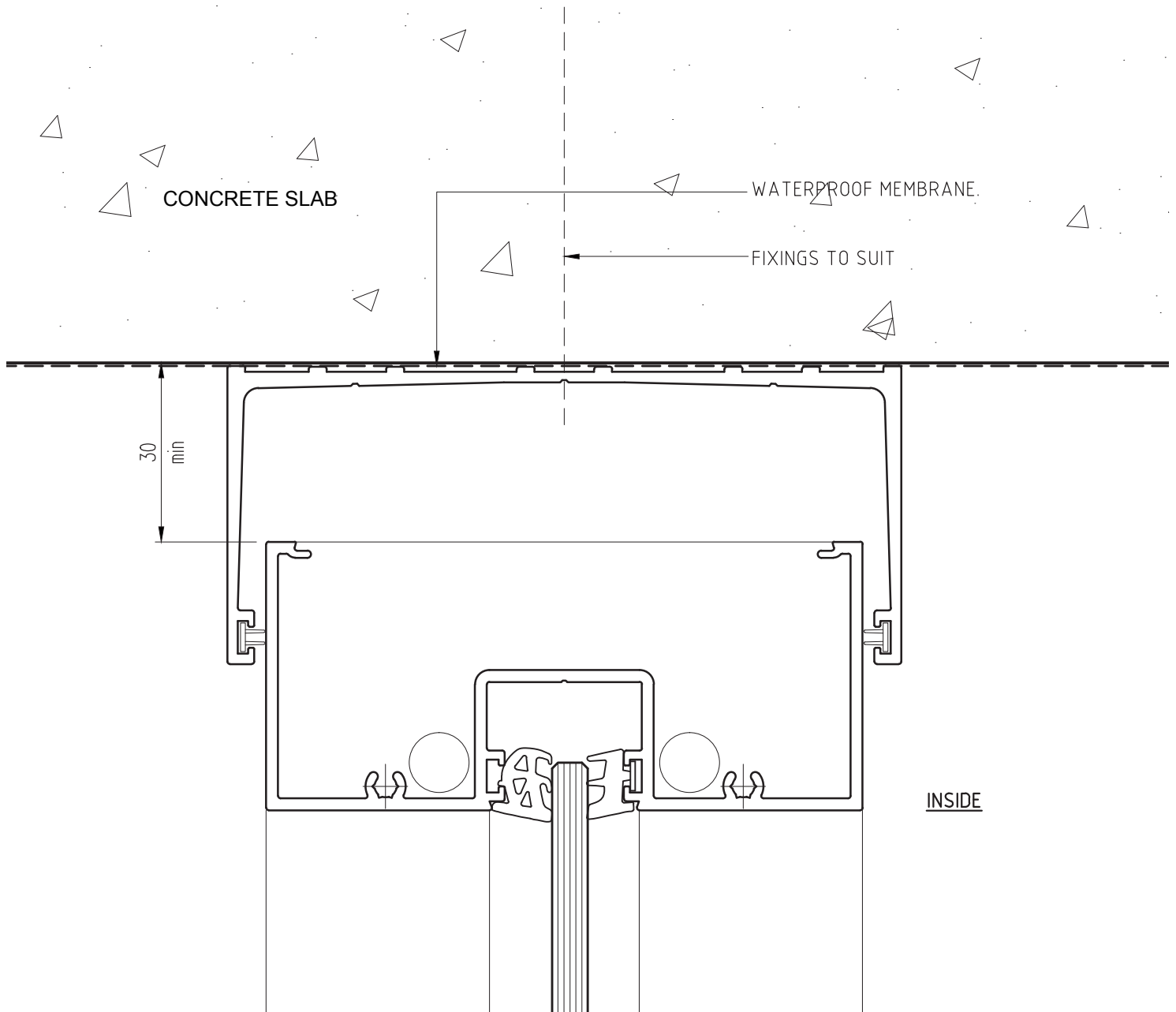
**JAMB DETAIL - CONCRETE SLAB**



FIXINGS: TYPES & CENTRES TO BE PROJECT SPECIFIC. REFER TO SPECIFICATION &/OR COMPANY ENGINEER.

<b>PRODUCT NO:</b> COM Centre Pocket Frame (100mm)	<b>DATE:</b> 14/02/13	
<b>DRAWING NO:</b> EURE-05-03	<b>ISSUE:</b> B	
<b>DRAWN:</b> DJH	<b>SCALE:</b> 1:1	
Bradnam's Windows and Doors Pty Ltd ABN 78 010 409 819 © 2013 All rights reserved.		

HEAD DETAIL WITH SUBHEAD - CONCRETE SLAB



FIXINGS: TYPES & CENTRES TO BE PROJECT SPECIFIC. REFER TO SPECIFICATION &/OR COMPANY ENGINEER.

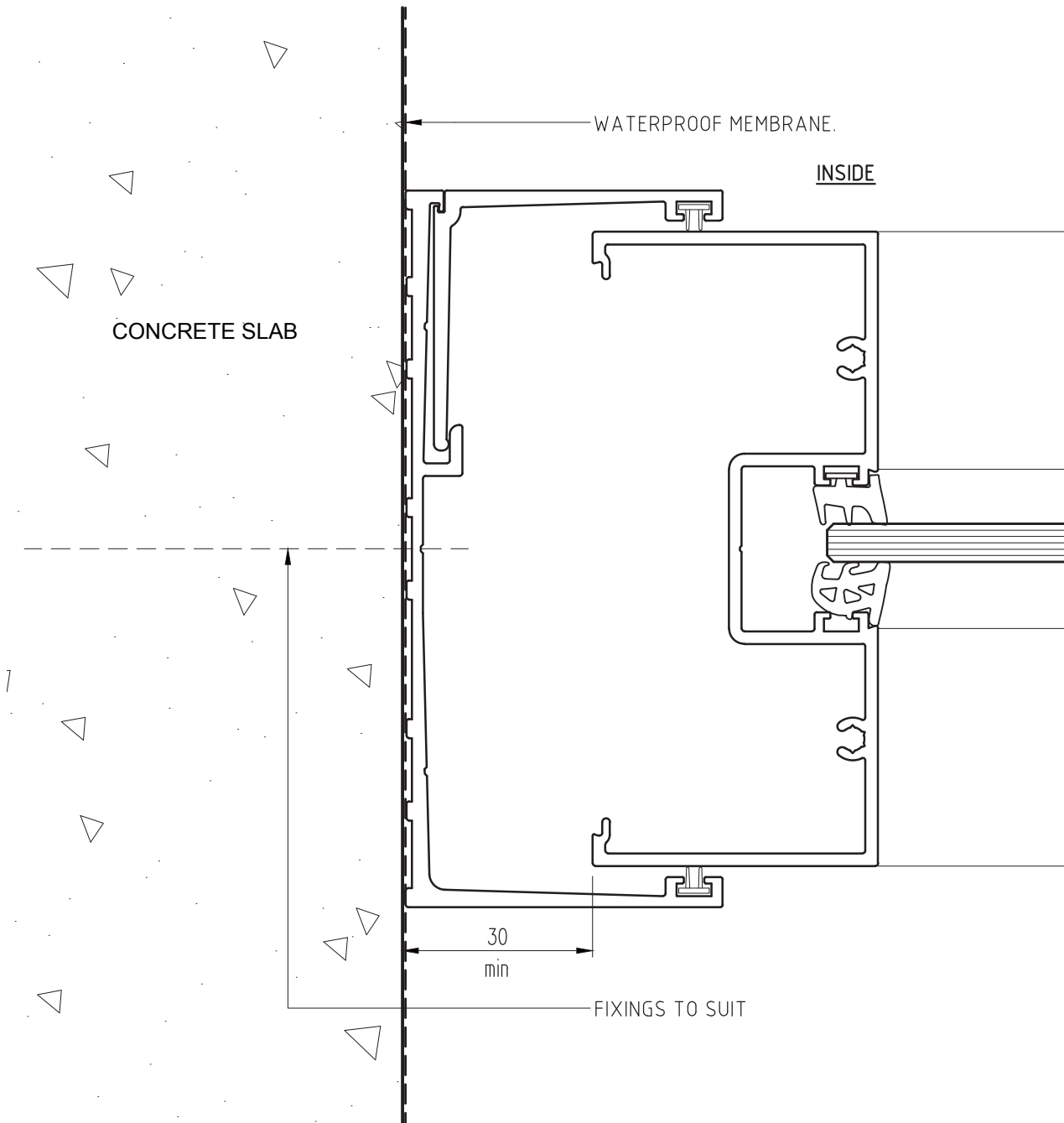
PRODUCT NO: COM Centre Pocket Frame (100mm) DATE: 14/02/13

DRAWING NO: EURE-05-04 ISSUE: B

DRAWN: DJH SCALE: 1:1

Bradnam's Windows and Doors Pty Ltd ABN 78 010 409 819 © 2013 All rights reserved.

JAMB DETAIL WITH SUBJAMB - CONCRETE SLAB



FIXINGS: TYPES & CENTRES TO BE PROJECT SPECIFIC. REFER TO SPECIFICATION &/OR COMPANY ENGINEER.

PRODUCT NO: COM Centre Pocket Frame (100mm) DATE: 14/02/13

DRAWING NO: EURE-05-05 ISSUE: B

DRAWN: DJH SCALE: 1:1

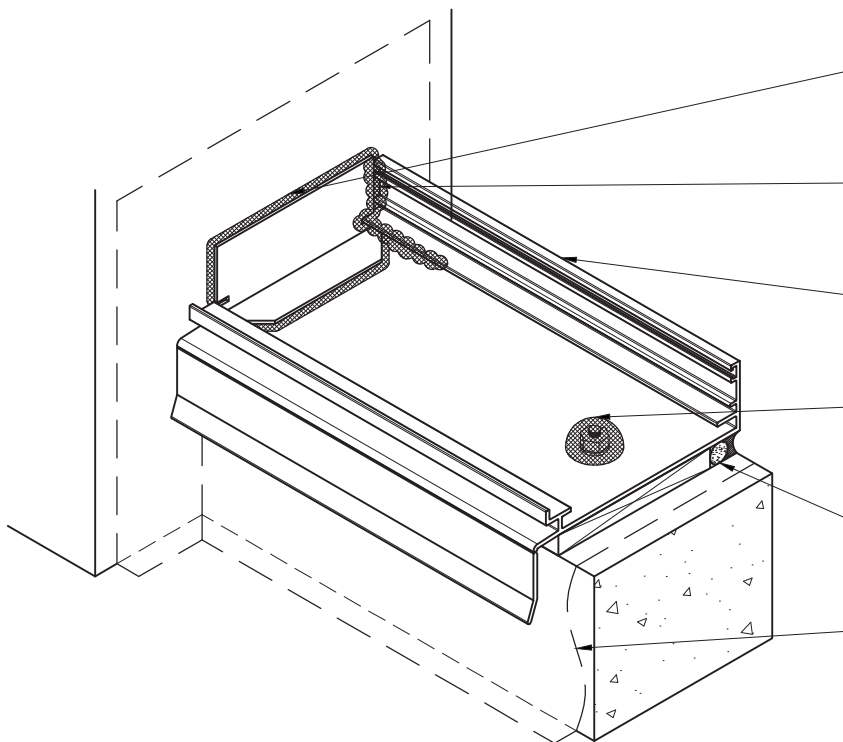
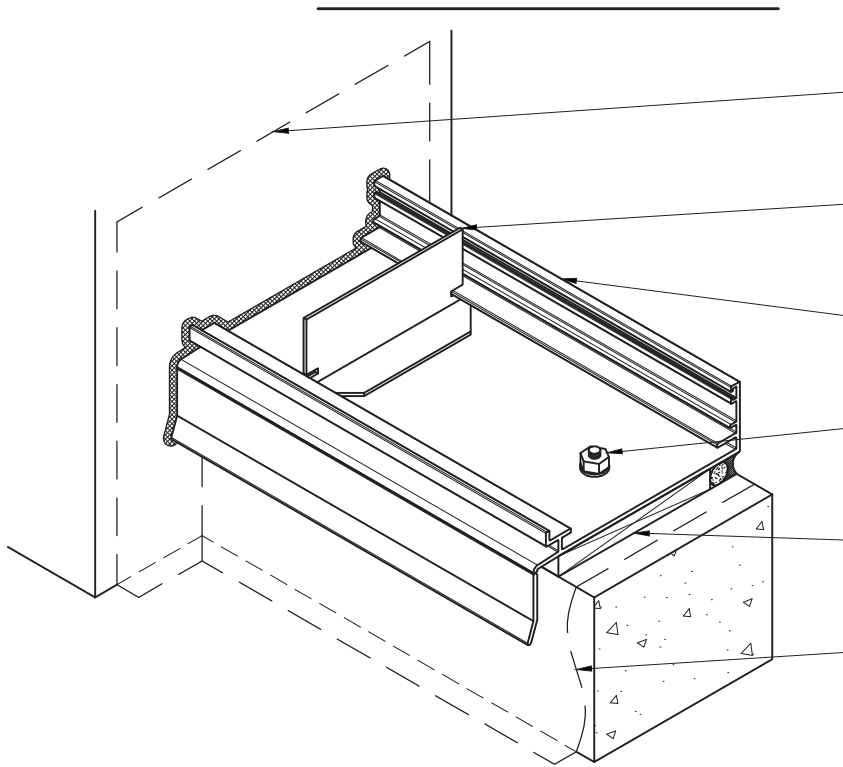
Bradnam's Windows and Doors Pty Ltd ABN 78 010 409 819 © 2013 All rights reserved.



**Bradnam's**  
windows & doors

Commercial Centre Pocket Frame (100mm) /  
Hinged Door (100mm-CP) /  
Pivot Door (100mm-CP) Installation Details

05-06



PRODUCT NO: COM Centre Pocket Frame (100mm) DATE: 14/02/13

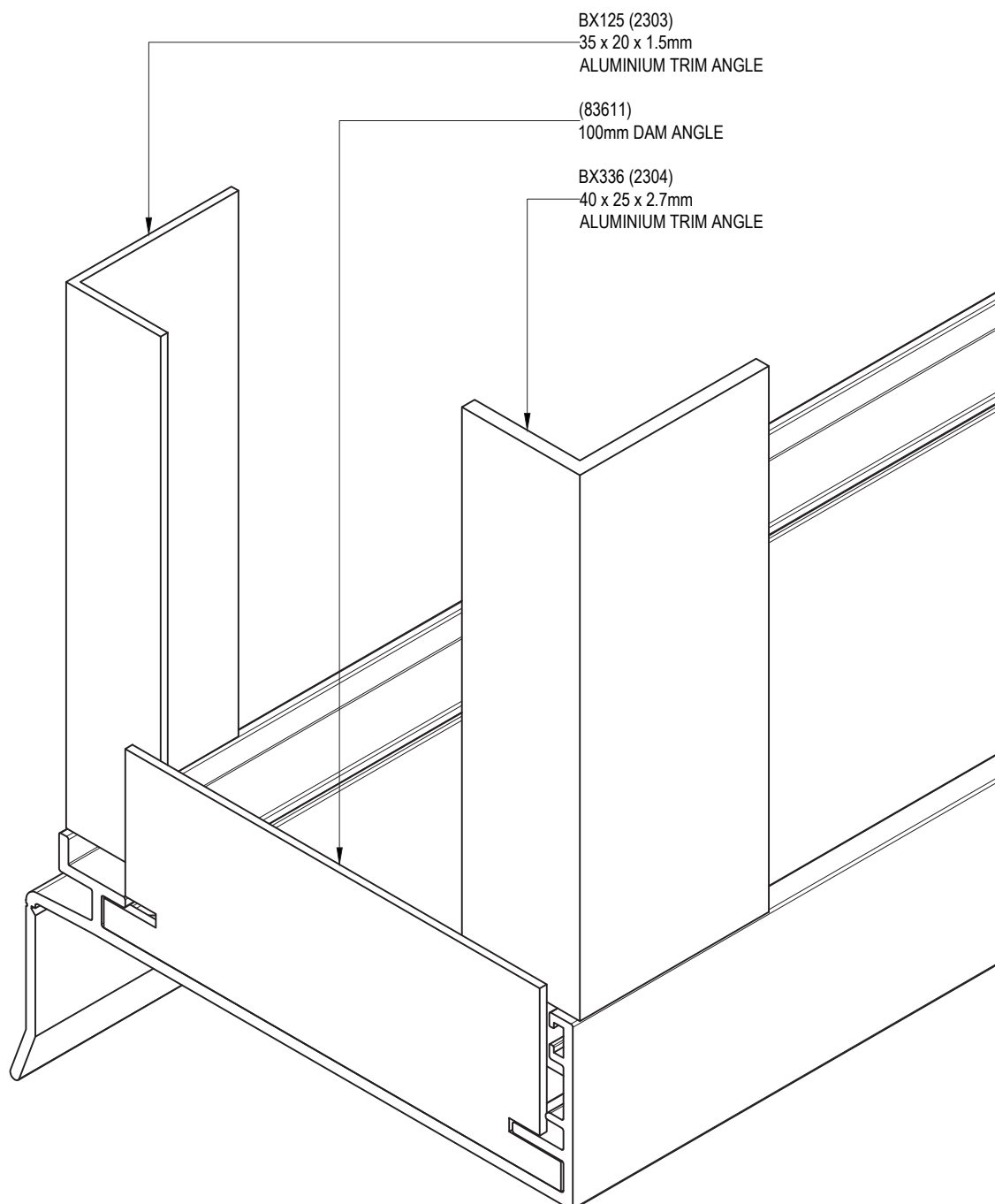
DRAWING NO: EURE-05-06 ISSUE: C

DRAWN: DJH SCALE: 1:3

Bradnam's Windows and Doors Pty Ltd ABN 78 010 409 819 © 2013 All rights reserved.



### DAM ANGLE WITH FIXING AND TRIM ANGLES



PRODUCT NO: COM Centre Pocket Frame (100mm) DATE: 14/02/13

DRAWING NO: EURE-05-07 ISSUE: C

DRAWN: DJH SCALE: 1:1

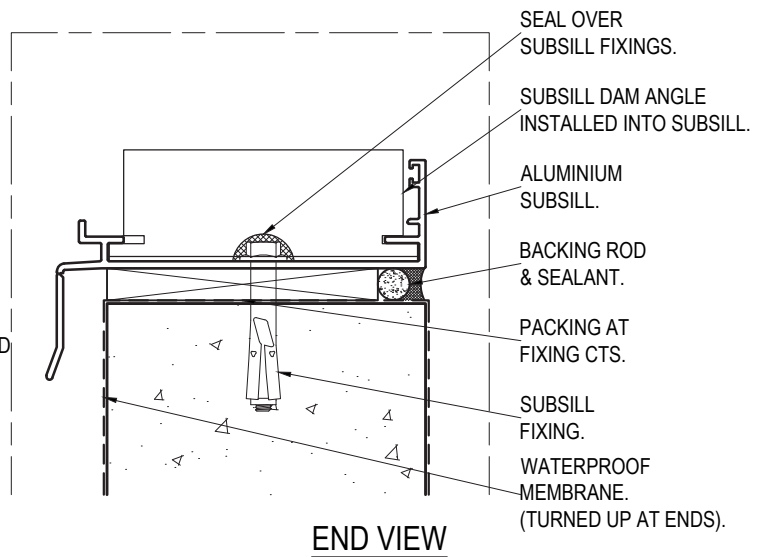
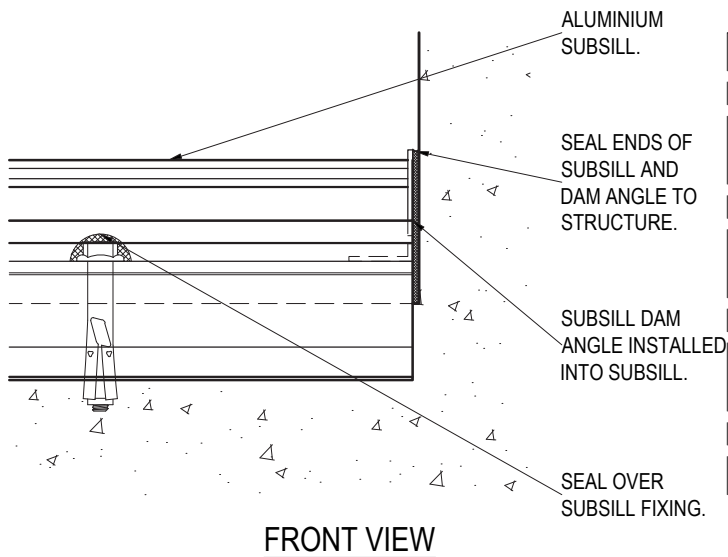
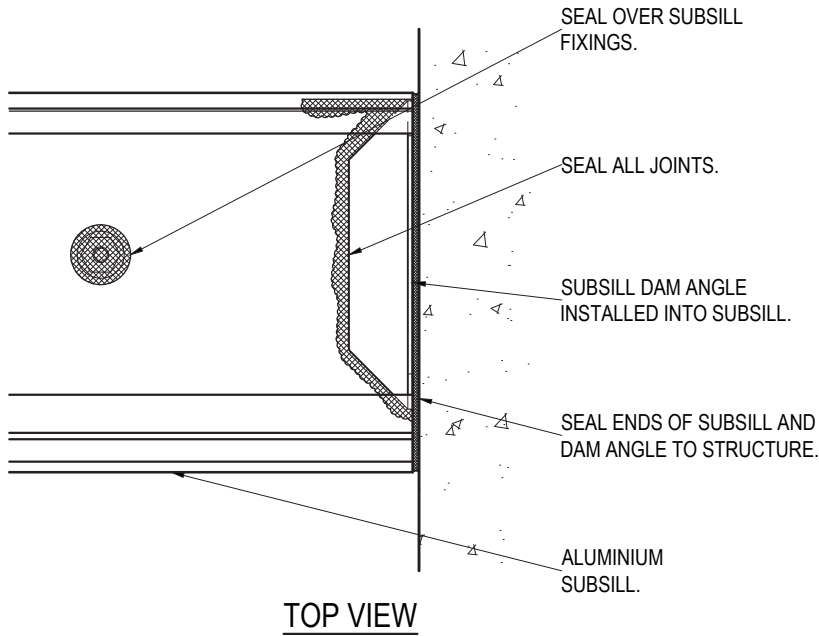
Bradnam's Windows and Doors Pty Ltd ABN 78 010 409 819 © 2013 All rights reserved.



**Bradnam's**  
windows & doors



DAM ANGLE - PLAN VIEWS



## 82028 180° SPLICE PLATE AT SUBSILL JOIN

INSTALL SUBSILL INTO OPENING WITH SPLICE PLATE FITTED. PACK SUBSILL LEVEL, THEN FIX TO STRUCTURE. POSITION CENTRE OF SPLICE PLATE ALONG JOIN IN SUBSILL, AND FIX TO SUBSILL WITH 12x CSK SCREWS. SEAL ALL JOINTS BETWEEN PLATE AND SUBSILL, AND ALONG JOIN IN SUBSILL. SEAL OVER FIXINGS AND UNDER SUBSILL TO STRUCTURE.

SUBSILL FIXING.  
(SEAL OVER FIXINGS)

82028  
96 x 300 x 3mm 180° SPLICE PLATE  
FIXED WITH 12 x CSK SCREWS.

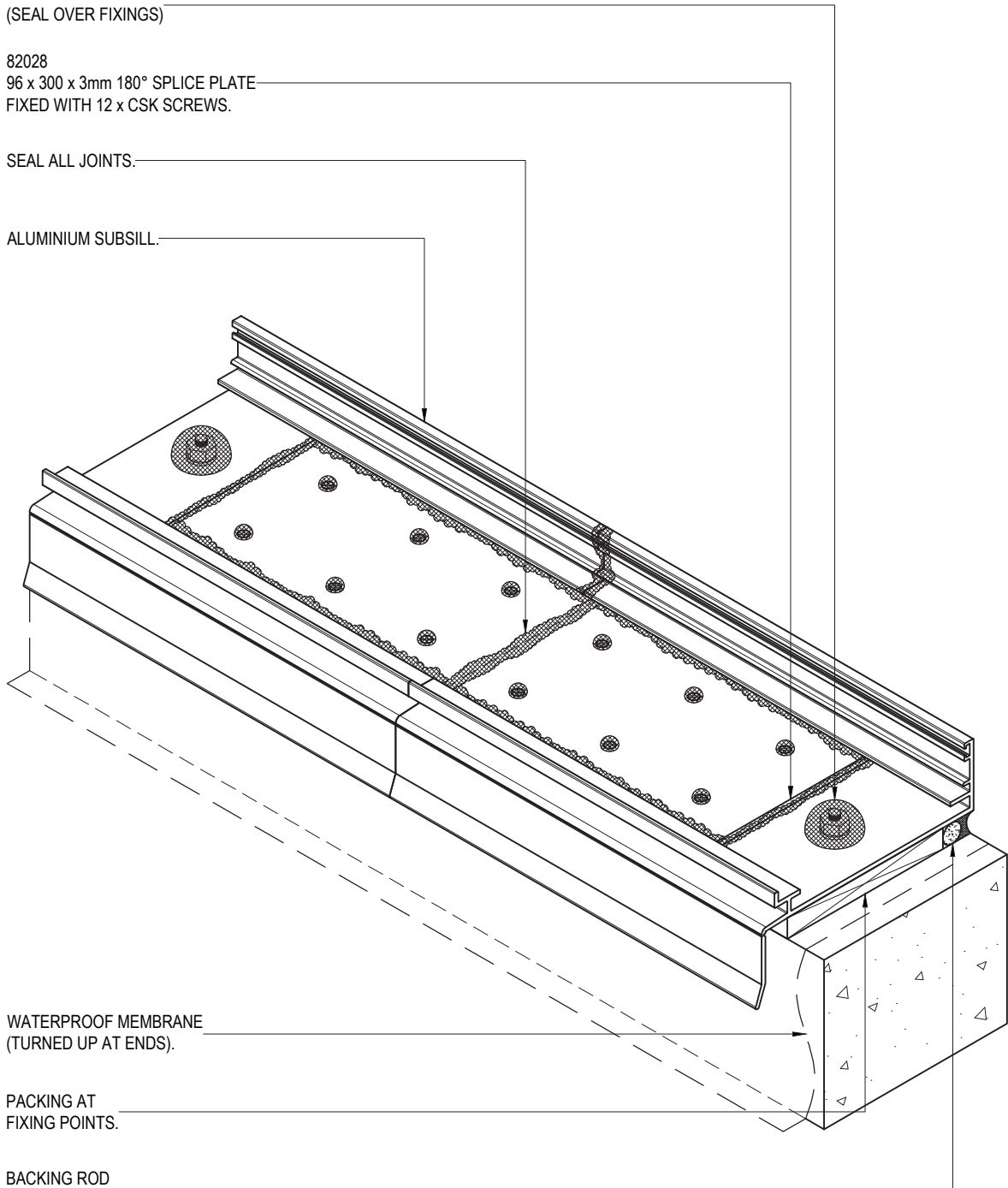
SEAL ALL JOINTS.

ALUMINIUM SUBSILL.

WATERPROOF MEMBRANE  
(TURNED UP AT ENDS).

PACKING AT  
FIXING POINTS.

BACKING ROD  
AND SEALANT.



PRODUCT NO: COM Centre Pocket Frame (100mm) DATE: 14/02/13

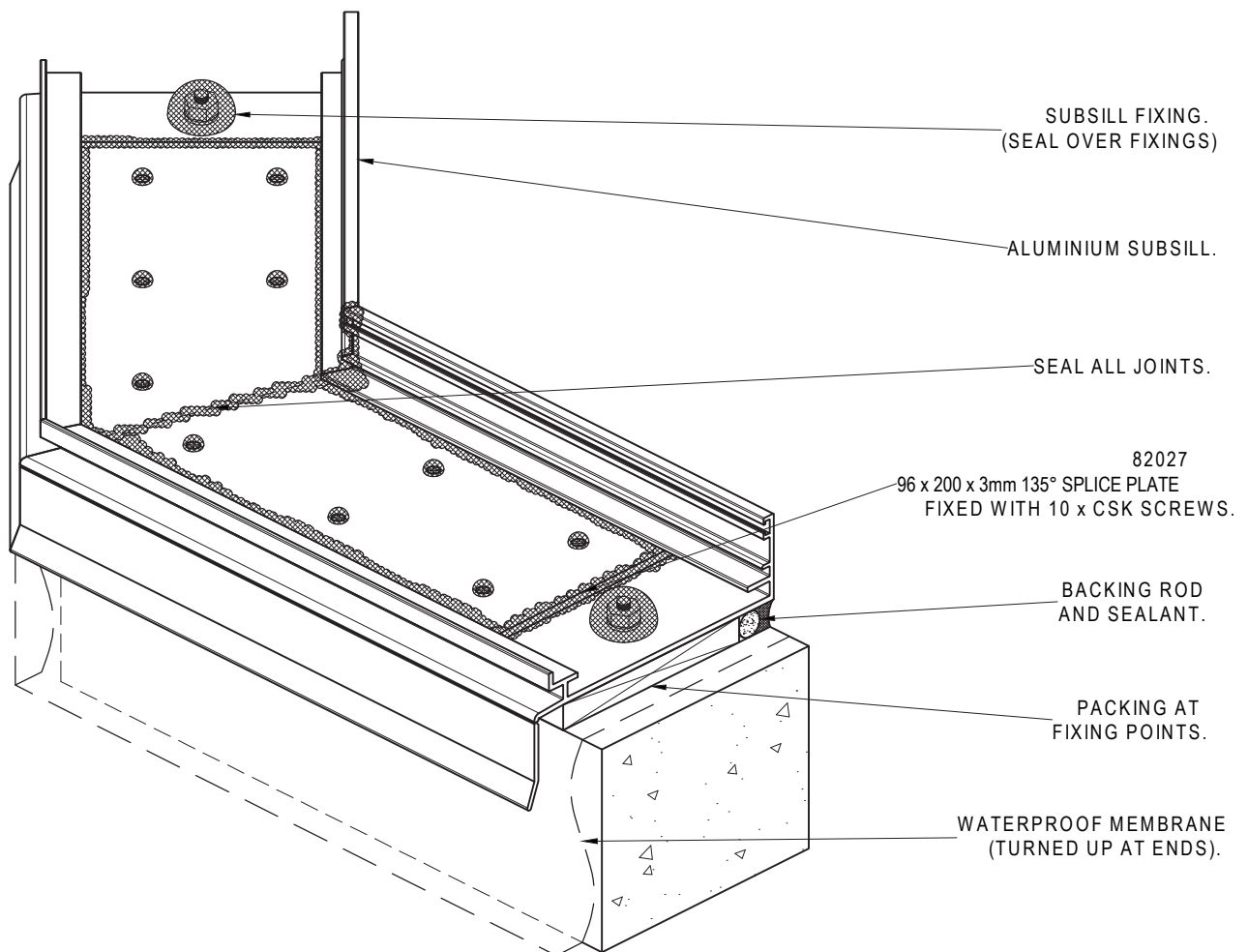
DRAWING NO: EURE-05-09 ISSUE: C

DRAWN: DJH SCALE: 1:2.5

Bradnam's Windows and Doors Pty Ltd ABN 78 010 409 819 © 2013 All rights reserved.

### 82027 135° SPLICE PLATE AT SUBSILL JOIN

INSTALL SUBSILL INTO OPENING WITH SPLICE PLATE FITTED. PACK SUBSILL LEVEL, THEN FIX TO STRUCTURE. POSITION CENTRE OF SPLICE PLATE ALONG JOIN IN SUBSILL, AND FIX TO SUBSILL WITH 10x CSK SCREWS. SEAL ALL JOINTS BETWEEN PLATE AND SUBSILL, AND ALONG JOIN IN SUBSILL. SEAL OVER FIXINGS AND UNDER SUBSILL TO STRUCTURE.



PRODUCT NO: COM Centre Pocket Frame (100mm) DATE: 14/02/13

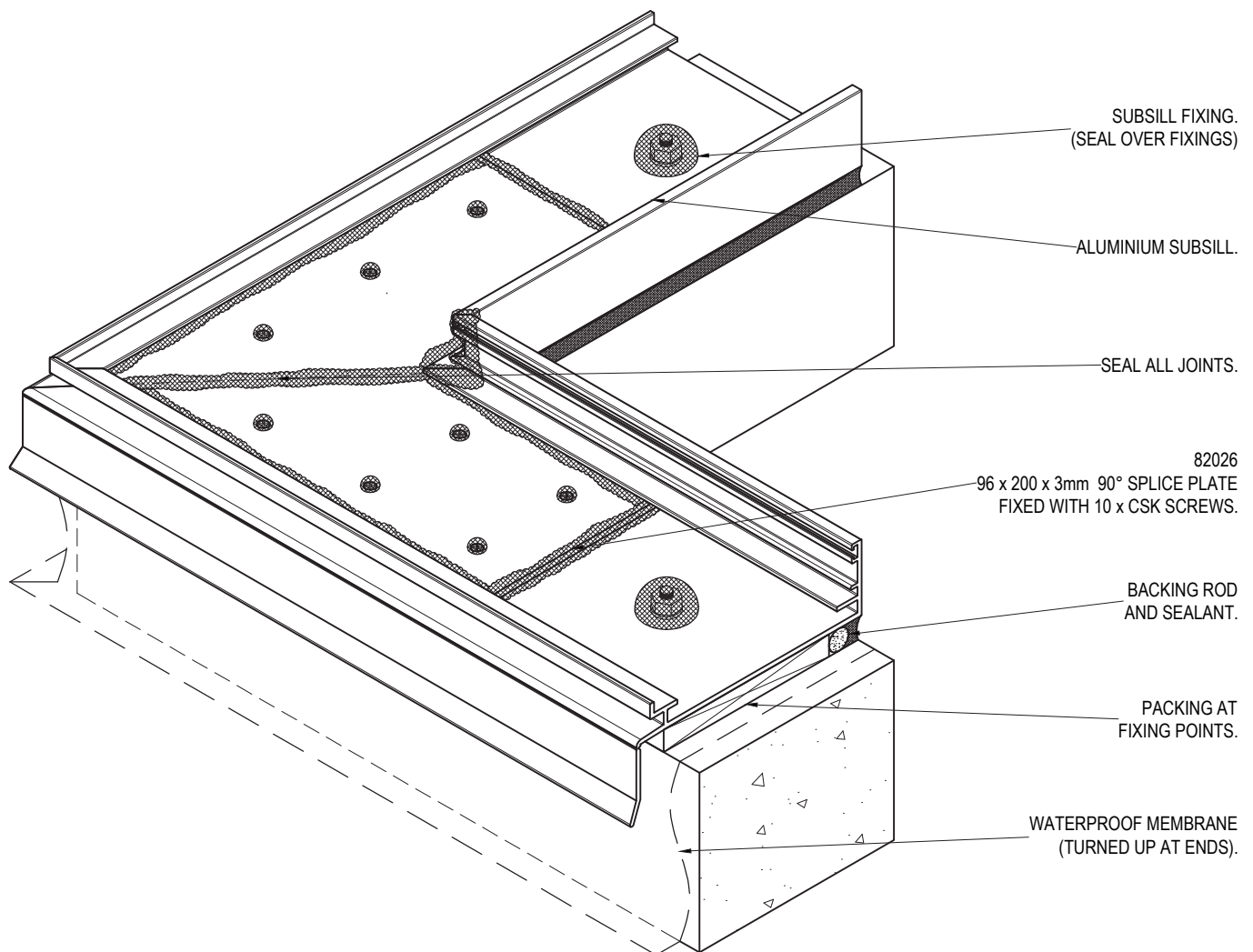
DRAWING NO: EURE-05-10 ISSUE: C

DRAWN: DJH SCALE: 1:2.5

Bradnam's Windows and Doors Pty Ltd ABN 78 010 409 819 © 2013 All rights reserved.

### 82026 90° SPLICE PLATE AT SUBSILL JOIN

INSTALL SUBSILL INTO OPENING WITH SPLICE PLATE FITTED. PACK SUBSILL LEVEL, THEN FIX TO STRUCTURE. POSITION CENTRE OF SPLICE PLATE ALONG JOIN IN SUBSILL, AND FIX TO SUBSILL WITH 10x CSK SCREWS. SEAL ALL JOINTS BETWEEN PLATE AND SUBSILL, AND ALONG JOIN IN SUBSILL. SEAL OVER FIXINGS AND UNDER SUBSILL TO STRUCTURE.



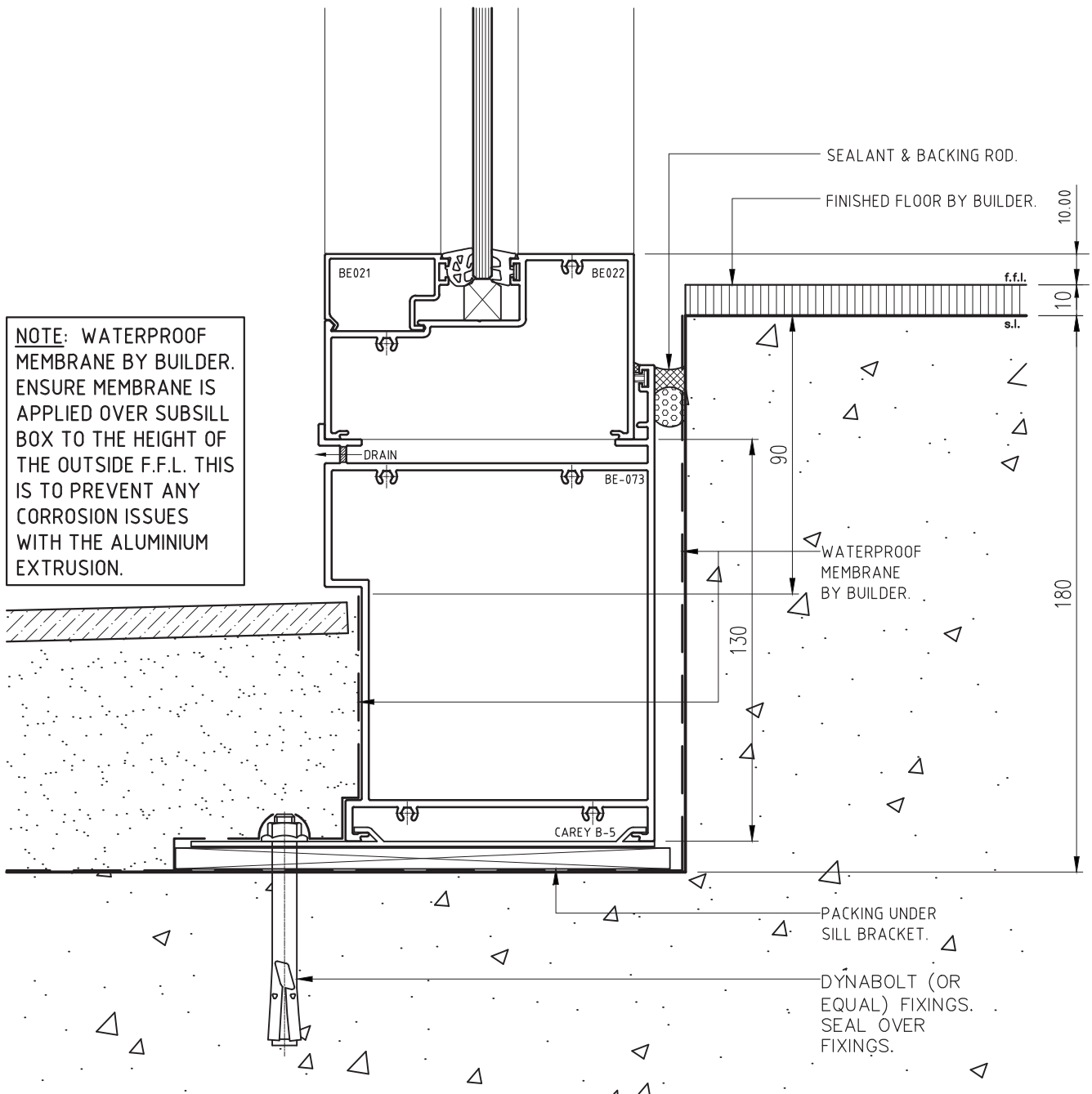
PRODUCT NO: COM Centre Pocket Frame (100mm) DATE: 14/02/13

DRAWING NO: EURE-05-11 ISSUE: C

DRAWN: DJH SCALE: 1:2.5

Bradnam's Windows and Doors Pty Ltd ABN 78 010 409 819 © 2013 All rights reserved.

ALTERNATIVE SILL DETAIL - USING BE073 BOX SUBSILL



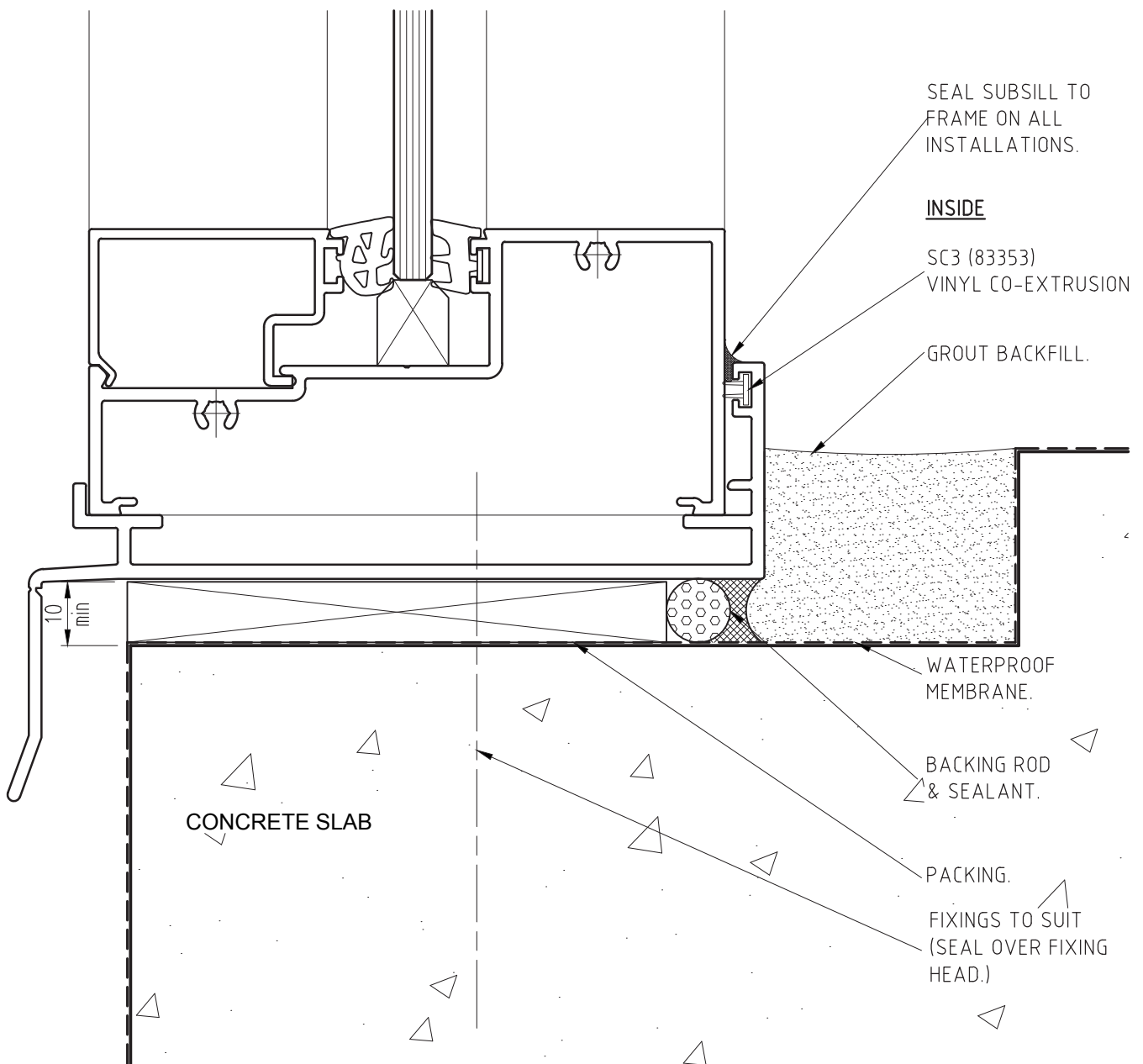
PRODUCT NO: COM Centre Pocket Frame (100mm) DATE: 14/02/13

DRAWING NO: EURE-05-12 ISSUE: B

DRAWN: DJH SCALE: 1:2

Bradnam's Windows and Doors Pty Ltd ABN 78 010 409 819 © 2013 All rights reserved.

ALTERNATE SILL DETAIL - CONCRETE SLAB  
(WHEN REBATE IS SUBSTANTIALLY WIDER THAN SUBSILL)



FIXINGS: TYPES & CENTRES TO BE PROJECT SPECIFIC.  
REFER TO SPECIFICATION &/OR COMPANY ENGINEER.

PRODUCT NO: COM Centre Pocket Frame (100mm) DATE: 14/02/13

DRAWING NO: EURE-05-13 ISSUE: B

DRAWN: DJH SCALE: 1:1

Bradnam's Windows and Doors Pty Ltd ABN 78 010 409 819 © 2013 All rights reserved.